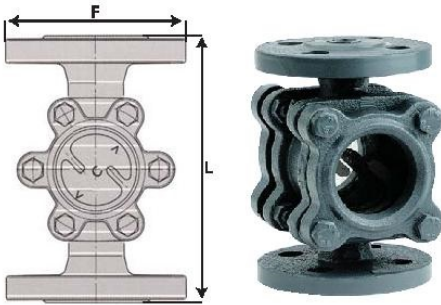


LV 1310

Cast Iron Sight Glass

Cast Iron Sight Glass, Fixed Vanes, PN16 Flanged.
 Rated PN16, Temperature -10°C to 320°C.



Material List

Part	Material
Body	Cast Iron
Window	Double Tempered Glass

Dimensions

DN	C	L	F
1/2"	45	130	95
3/4"	45	150	105
1"	45	160	115
1 1/4"	50	180	140
1 1/2"	50	200	150
2"	60	230	165
2 1/2"	90	290	185
3"	90	310	200
4"	107	350	220
6"	160	480	285
8"	170	600	340