

Stainless Steel Y-Type Strainer - Flanged PN16

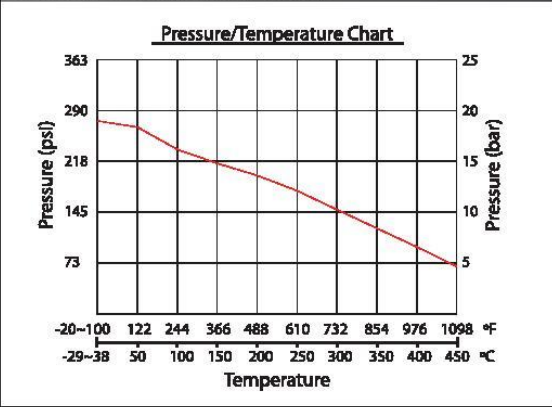
Flanged PN16, Stainless Steel Body, Cover & Screen



Pressure/Temperature Ratings

Pressure	PN16 Rated
Temperature	-20°C to 450°C

Body Pressure Temperature Ratings

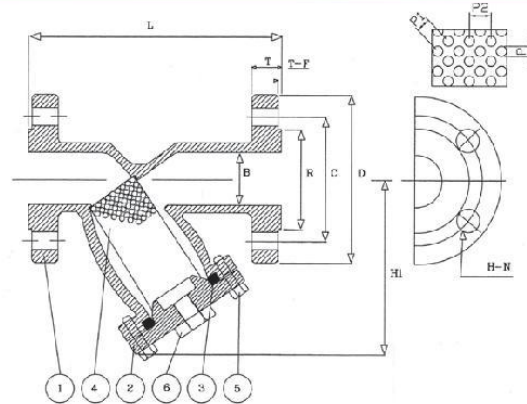


Material List

1	Body	A351-CF8M
2	Cover	A351-CF8M
3	Gasket	PTFE
4	Screen	SUS316
5	Gland Bolt	SUS304
6	Drain Plug	SUS316

Strainer Sizes Drain Plug Thread Specification

1½"~6"	½ BSPT
--------	--------



Dimensions

Size	L	D	C	B	T	R	F	H	N	H1	Kg	
1"	DN25	160	115	85	25	16	68	1	14	4	95	3.40
1½"	DN40	200	150	110	40	16	88	2	18	4	128	6.20
2"	DN50	230	165	125	50	18	102	2	18	4	167	9.00
2½"	DN65	290	185	145	65	18	122	2	18	4	183	16.8
3"	DN80	310	200	160	80	20	138	2	18	8	200	18.4
4"	DN100	350	220	180	100	20	158	2	18	8	230	23.0
6"	DN150	480	285	240	150	22	212	2	22	8	316	48.0
8"	DN200	600	340	295	200	24	268	2	22	12	450	98.0
10"	DN250	730	405	355	250	26	320	2	26	12	500	145
12"	DN300	805	460	410	300	28	370	3	26	12	600	216

Screen Specification

Nominal Size	Perforation	Pitch Holes		Screen Thickness
	P	P1	P2	
1"	1.5	2.5	4	0.4
1½"~6"	2.0	3.8	7	0.5