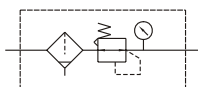


# MAFR401 series With high precision digital pressure switch

**AIR UNITS (F.R.UNIT)**



**Symbol:**



## Specification:

Model	MAFR401		
Bore No.	8A	10A	15A
Port size	PT 1/4	PT 3/8	PT 1/2
Medium	Air		
Operating pressure range	0~15 kgf/cm <sup>2</sup> (0~1.5 MPa)		
Test pressure	20 kgf/cm <sup>2</sup> (2 MPa)		
Regulated pressure range	Standard type: 1~8.5 kgf/cm <sup>2</sup> (0.1~0.85 MPa)		
Ambient temperature	-5~+60°C (No freezing)		
Filter element	Standard: 40 μm Option: 5 μm		
Attachment	L-type bracket		
Weight	854 g (with 2-meter lead wire), 819 g (with male connector)		

※ Standard Unit contains semi-auto-drain function when operating pressure below 0.5 kgf/cm<sup>2</sup>.

## Order example (Air units):

**MAFR401 - 8A - □ - E3 - □ - BSP**

MODEL

BORE SIZE  
8A: PT 1/4  
10A: PT 3/8  
15A: PT 1/2

PRESSURE SWITCH

E1: MP41P-02  
E2: MP41P-02-QD  
E3: MP41P-02-J  
E4: MP41P-02-QD-J  
E5: MP41P-04  
E6: MP41P-04-QD  
E7: MP41P-04-J  
E8: MP41P-04-QD-J

FILTER ELEMENT

Blank: 40 μm  
5u: 5 μm

PORT THREAD  
Blank: PT thread  
BSP: BSP thread  
NPT: NPT thread

Blank: Standard type  
D: auto drain valve (FMRF 300)

## Pressure switch :

**MP41P - 02 - QD - □**

MODEL

OUTPUT METHOD

02 : 1 NPN output  
04 : 1 PNP output

PRESSURE UNIT

Blank: Unit changeable  
J : Unit unchangeable  
(Fixed unit is MPa)

PRESSURE RANGE  
P: Positive  
(-0.100~1.000 MPa)

CABLE LENGTH / CONNECTOR

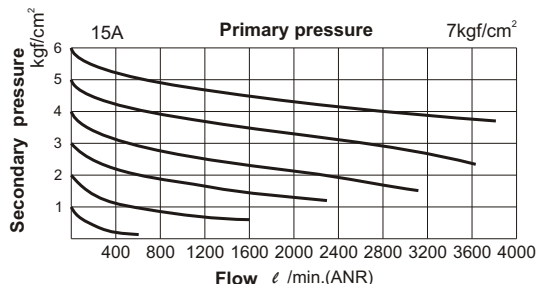
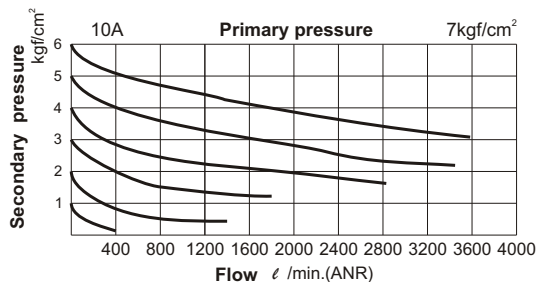
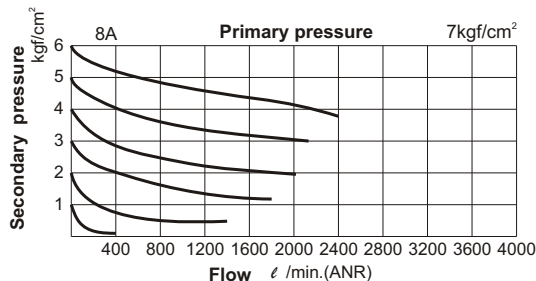
Blank: With 2 meter cable  
QD : With M8, 4 Pin male connector

※ See MP41 series for specifications.

## MP41 applicable model :

Series	302	401	403
F.R.L.Unit	MACP302	MACP401	MACP403
F.R.L.Unit	MACT302	MACT401	MACT403
F.R.Unit	MAFR302	MAFR401	MAFR403
R. Unit	MAR302	MAR401	MAR403
F.R.Unit	—	MAFRF401	—
F.R.Unit	—	MATFR401	—

## Flow feature:

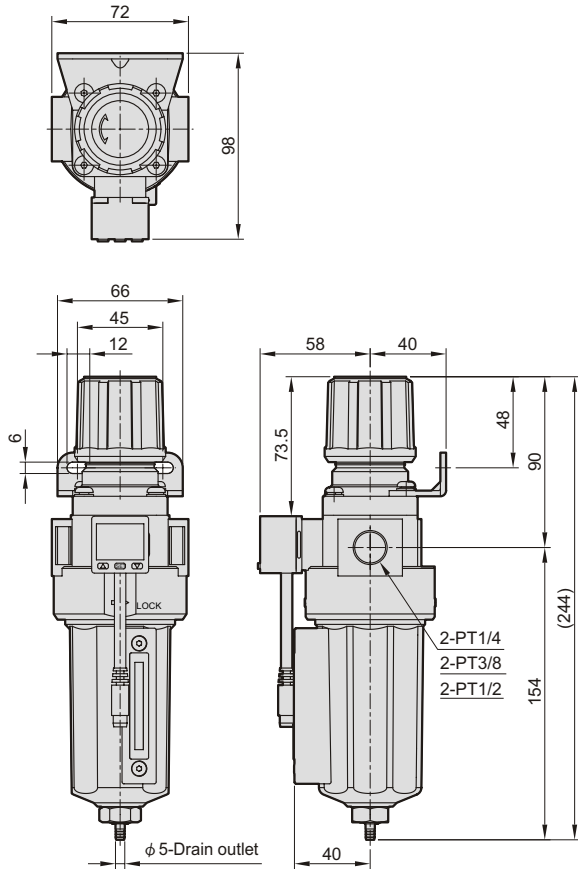


# MAFR401 Dimensions

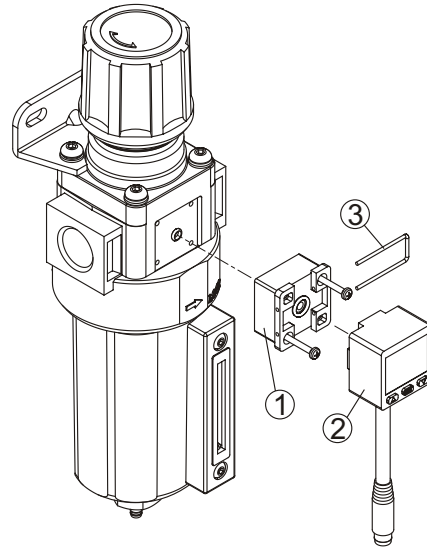
AIR UNITS (F.R.UNIT)



## Dimensions :



## Mounting procedures:



1. Fix the holder.
2. Assembly the digital pressure switch.
3. Button the n-ring.