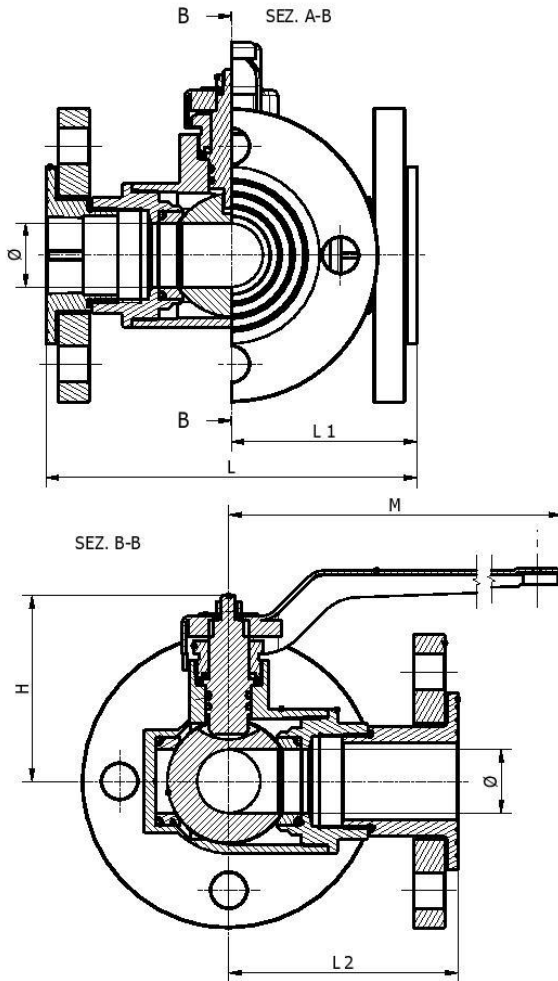


LV 5312
LV 5314

Brass Ball Valve - Three Way, T-Port/L-Port - Rotating Flanges

Nickel Plated Body, Reduced Bore, Steel Plated Rotating Flanges, Lever Operated



Pressure/Temperature Ratings

Max Pressure	PN16
Temperature Range	-10°C to 100°C

Material List

Body	Brass, Nickel Plated
Ball	Brass
Sleeve	Brass
Seat	PTFE
Seat O-ring	Viton
Stem	Brass
Stem O-ring	Viton
Gasket	PTFE
Gland Nut	Brass
Lever	Steel
Union	Brass
Union O-ring	NBR
Flange	Steel
Central Union	Brass

Dimensions

DN	L	L1	L2	Ø	H	M	Kg
1½"	187	93.5	115.5	32	93.5	240	10
2"	215	107.5	107.5	40	103.5	240	14.45
3"	241	120.5	120.5	50	124	240	18.92