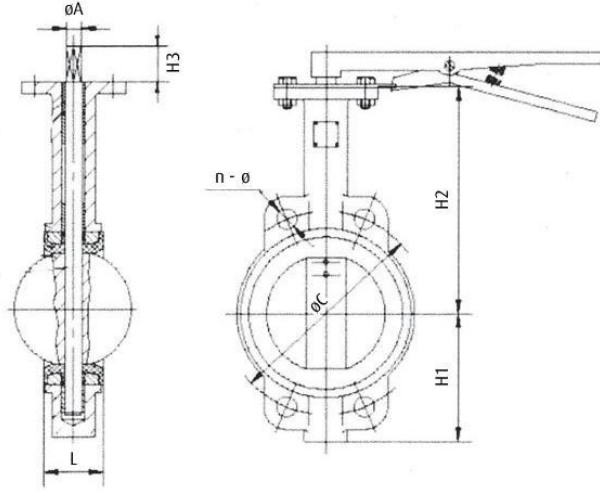


Stainless Steel Wafer Pattern Butterfly Valve

Wafer to Suit PN10/16 & ANSI 150,
Stainless Steel Body & Disc,
EPDM Backed PTFE Liner, Lever
Operated, ISO Topworks

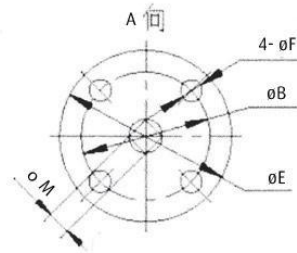


Pressure/Temperature Ratings

Size	2" - 6" Max 16 Bar 8" 10 Bar
Temperature	20°C to 110°C

Material List

Body	A351 CF8M Stainless Steel
Disc	A351 CF8M Stainless Steel
Liner	PTFE/EPDM
Stem	416 Stainless Steel
Pin	316 Stainless Steel
Bushes	Bronze/PTFE
O-Rings	EPDM
Lever	Malleable Iron



Dimensions

DN	H1	H2	H3	L	ϕA	ϕE	ϕB	ϕF	ϕM	DIN PN10		DIN PN16		ANSI B16.1		Torque Nm
										ϕC	$n - \phi$	ϕC	$n - \phi$	ϕC	$n - \phi$	
DN50	76	162	32	45	12.7	92	70	9	9	125	4- $\phi 18$	125	4- $\phi 18$	120.65	4- $\phi 19$	24
DN65	89	175	32	48	12.7	92	70	9	9	145	4- $\phi 18$	145	4- $\phi 18$	139.7	4- $\phi 19$	33
DN80	95	181	32	49	12.7	92	70	9	9	160	4- $\phi 18$	160	8- $\phi 18$	152.4	4- $\phi 19$	45
DN100	114	200	32	55	15.8	92	70	9	11	180	8- $\phi 18$	180	8- $\phi 18$	190.5	8- $\phi 19$	84
DN125	127	213	32	58	19.05	92	70	9	14	210	8- $\phi 18$	210	8- $\phi 18$	215.9	8- $\phi 22$	135
DN150	140	225	32	59	19.05	92	70	9	14	240	8- $\phi 23$	240	8- $\phi 23$	241.3	8- $\phi 22$	210
DN200	177	260	36	64	22.2	125	102	11	17	295	8- $\phi 23$	295	12- $\phi 23$	298.45	8- $\phi 22$	380

Safety factor: 25%