

LV 2420

## Brass Ball Valve - Press Fit Ends

Copper to Copper Press Ends, Nickel Plated Brass Body, Lever Operated

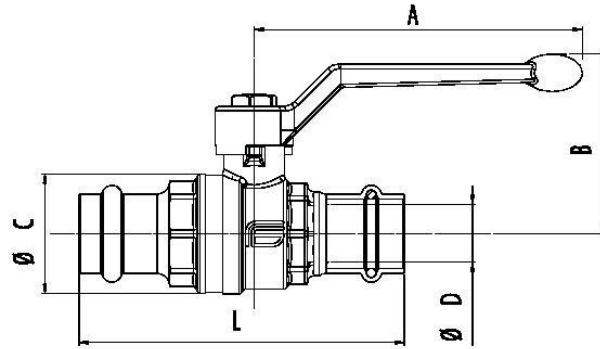


### Pressure/Temperature Ratings

Max Pressure	15mm - 28mm	PN40
	35mm	PN25
	42mm - 54mm	PN16
Temperature Range	-15°C to 120°C	

### Material List

Body	Brass, Nickel Plated
Ball	Brass, Chrome Plated
Seats	PTFE
Stem	Brass
Handle	Aluminium
Stem O-ring	H NBR
End O-ring	EPDM



### Dimensions

DN	∅ D	A	B	∅ C	L	Kg
15	15	85	41	31	93	0.21
22	20	105	57	38.5	104	0.34
28	25	105	61	47	110	0.53
35	32	130	70	57.5	123	0.89
42	40	130	79	70	158	1.51
54	50	165	97	85.5	179	2.09