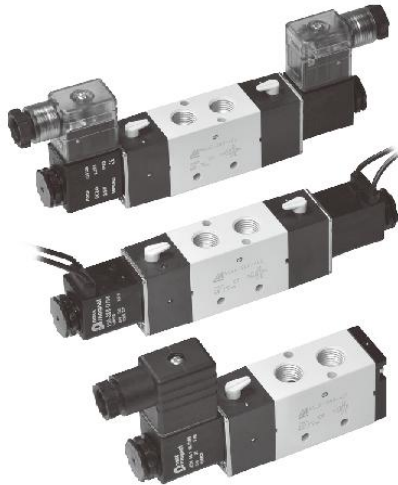


# MVSE-260 series

SOLENOID VALVE



## Specification

Model	4E1,4E2	4E2C.P.R
Bore No.	8A	
Port size	Rc1/4	
No. of port	5	
No. of position	2	3
Medium	Air	
Operating pressure range	0.2~1.2 MPa	0.3~1.2 MPa
Proof pressure	1.5 MPa	
Effective orifice	18 mm <sup>2</sup>	16 mm <sup>2</sup>
Response time	- 5 ~ ± 50% (No freezing)	
Ambient temperature	40 ms	35 ms
Voltage	AC110V, AC220V (50/60)Hz, DC24V	
Power consumption	AC=6/4.9VA, DC=2.5W	
Available voltage range	± 10%	
Insulation class	F class	
Weight	255 g, 350 g	405 g

## Order example of valve

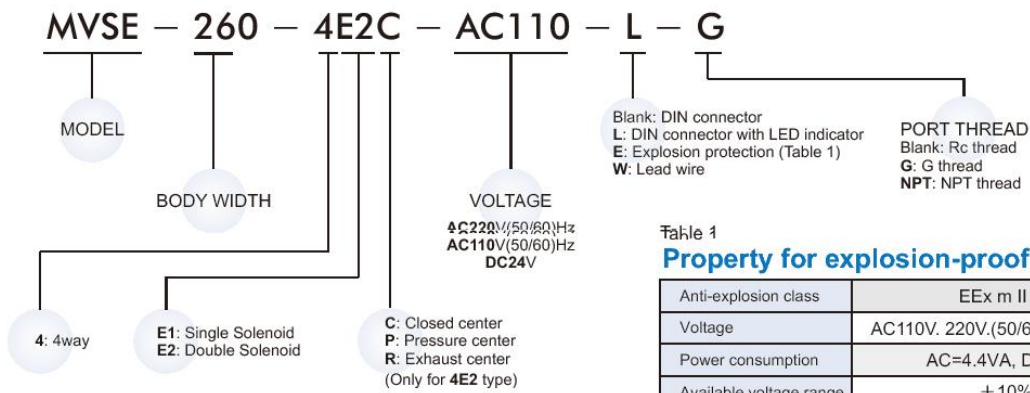
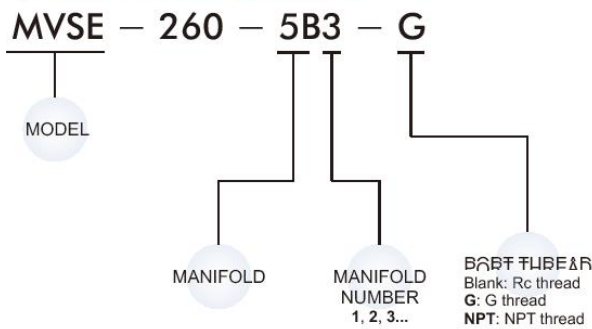


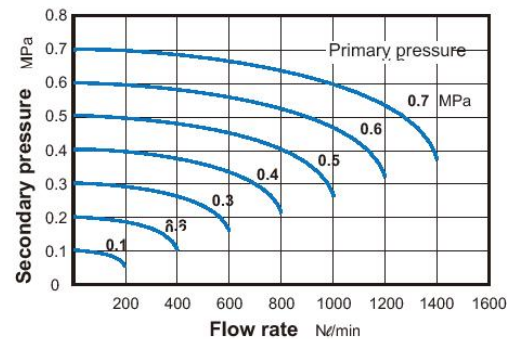
Table 1  
**Property for explosion-proof type**

Anti-explosion class	EEx m II T4
Voltage	AC110V, 220V, (50/60)Hz, DC24V.
Power consumption	AC=4.4VA, DC=5W
Available voltage range	± 10%
Insulation class	F class

## Order example of manifold



## Flow features



Mindman