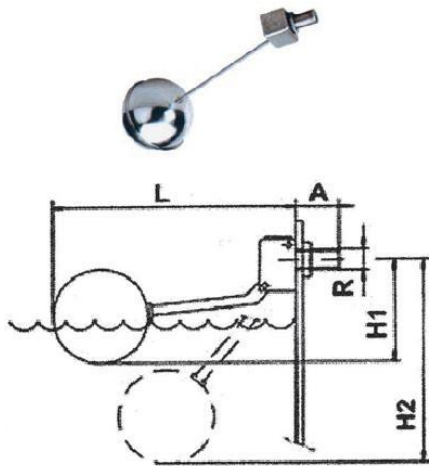


Stainless Steel Float Valve

Screwed BSPP Male, Stainless Steel Body, Float & Arm



Pressure/Temperature Ratings

Nominal Pressure	10 Bar (10Kg/cm ²)
Max Temperature	-20°C to 150°C

Material List

Body	Stainless Steel AISI 316
Male Thread	Stainless Steel AISI 316
Seal	Silicone
Lever	Stainless Steel AISI 316
Ball	Stainless Steel AISI 316

Dimensions

Flow (mm)	Inches	mm				Mass without Buoy (Kg)	Ø Spherical Buoy for Pressure P=10 Bar ø (mm)
	R	A	L	H1	H2		
15	1/2" G	35	410	127 180	375	0.310	110
20	3/4" G	42	490	155 197	436	0.486	160
25	1" G	45	585	174 220	521	0.554	160
32	1 1/4" G	52	585	164 222	520	0.727	160
40	1 1/2" G	60	710	253 318	651	2.795	200
50	2" G	70	798	255 324	736	3.041	200

*From DN 80 - 3" G, it is recommended a PN16 flange connection.

Flow (mm)	Water Flow (l/h)						
	Pressure (Bar)						
	1	2	3	4	6	8	10
1/2"	2829	3998	4895	5657	6790	7978	8938
3/4"	4838	6842	8370	9677	11805	13993	15289
1"	6934	9919	12147	14068	17167	19654	21945
1 1/4"	10176	15438	19438	23154	28908	33594	38168
1 1/2"	15556	21948	26928	31104	37635	43657	51516
2"	23685	33836	40977	45791	47372	67532	75500

H1: Corresponds to the closed valve, it's real value depends on the closing pressure and on the density of the controlled liquid.

H2: Corresponds to the open valve at the buoy's lowest position.