



Features

■ Compact type

The cylinder can be directly mounted without brackets (You have brackets) the overall length is shorter and so it will fit into a more confined space. This gives the benefit of saving space when installing the cylinder.

■ Improved strength and accuracy of installation.

■ Two installation methods.

■ Cylinder can be front mounted, or mounted from underneath.

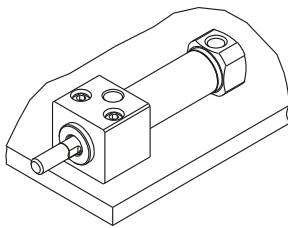
■ Magnetic as standard.

Specification

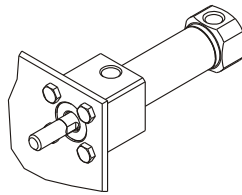
Model	MCMBRA, MCMBRB			
Tube I.D. (mm)	φ 20	φ 25	φ 32	φ 40
Port size	Rc1/8			Rc1/4
Medium	Air			
Max operating pressure	1 MPa			
Min operating pressure	0.05 MPa			
Proof pressure	1.5 MPa			
Ambient temperature	-5~+60°C (No freezing)			
Lubrication	Not required			
Available speed range	50~500mm/sec			
Cushion	with rubber cushion pad			
Sensor switch (※)	RCA, RCM			
Sensor switch band	BA20	BA25	BA32	BA40
	BGS20	BGS25	BGS32	BGS40
	BM20	BM25	BM32	BM40

※ RCA, RCM specification, please refer to page V-07, V-11.
 ※ Sensor switch band BM** only for RCM.

Mounting



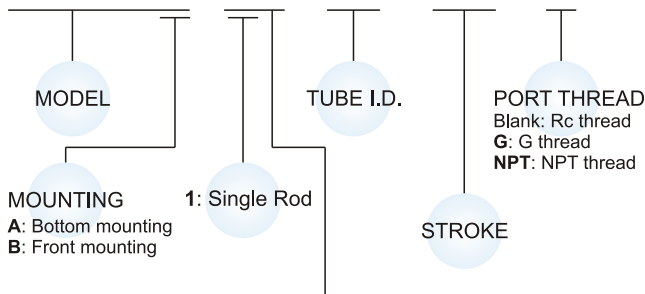
A: Bottom mounting



B: Front mounting

Order example

MCMBRA-11-25-100-G



STYLE

Code	Symbol	Description
1 1		Double acting / Male thread

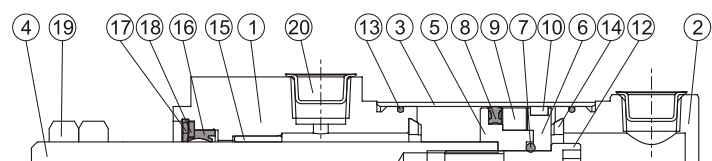
Table for standard stroke

Tube I.D.	Stroke (mm)
φ 20, 25, 32, 40	25, 50, 75, 100, 125, 150, 200, 250, 300

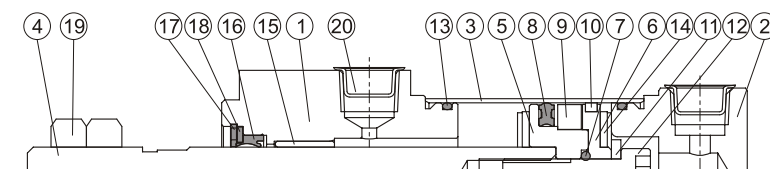
MINIATURE CYLINDERS

Mindman

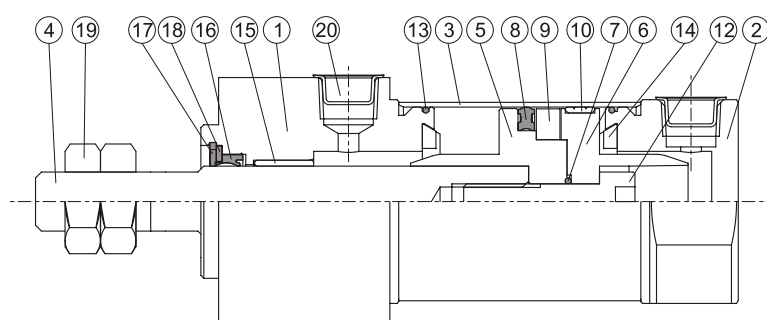
φ 20



φ 25



φ 32, φ 40



Material

No.	Part name	Tube I.D.				Q'y	Component parts (inclusion)	Repair kits (inclusion)
		20	25	32	40			
1	Rod cover	Aluminum alloy				1	●	
2	Head cover	Aluminum alloy				1	●	
3	Tube	Stainless steel				1		
4	Piston rod	Carbon steel				1		
5	Piston-R	Aluminum alloy	※2	※1	※1	1	●	
6	Piston-H	Aluminum alloy	※2	※1	※1	1	●	
7	Piston gasket	NBR				1	●	
8	Piston packing	NBR				1	●	
9	Magnet ring	Magnet material				1	●	
10	Wear ring	Teflon + Graphite				1	●	
11	Washer	—	※3	—	—	1	●	
12	Piston bolt	SCM				1	●	
13	Cover ring	NBR				2	●	
14	Cushion gasket	NBR				2	●	
15	Rod bush	Bearing alloy				1	●	
16	Rod packing	NBR				1	●	●
17	Snap ring	Spring steel				1	●	
18	Washer	Carbon steel				1	●	
19	Rod front nut	Carbon steel				2	●	
20	Port plug	Plastic				2	●	

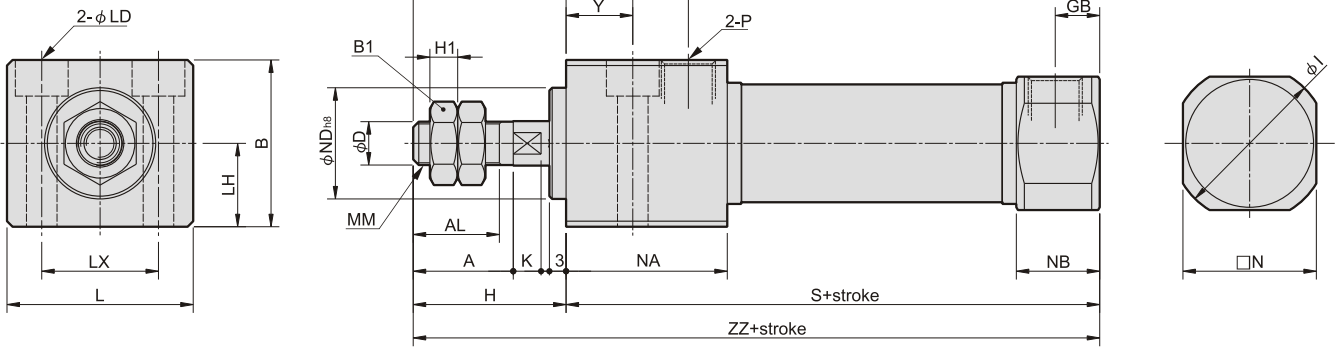
Order example of component parts / repair kits

Tube I.D.	Component parts	Repair kits
φ 20	CP-MCMBRA-20	PS-MCMB-20
	CP-MCMBRB-20	
φ 25	CP-MCMBRA-25	PS-MCMB-25
	CP-MCMBRB-25	
φ 32	CP-MCMBRA-32	PS-MCMB-32
	CP-MCMBRB-32	
φ 40	CP-MCMBRA-40	PS-MCMB-40
	CP-MCMBRB-40	

※1. Aluminum alloy ※2. Polyurethane ※3. Carbon steel

※Use the same repair kits with MCMB.

MCMBRA

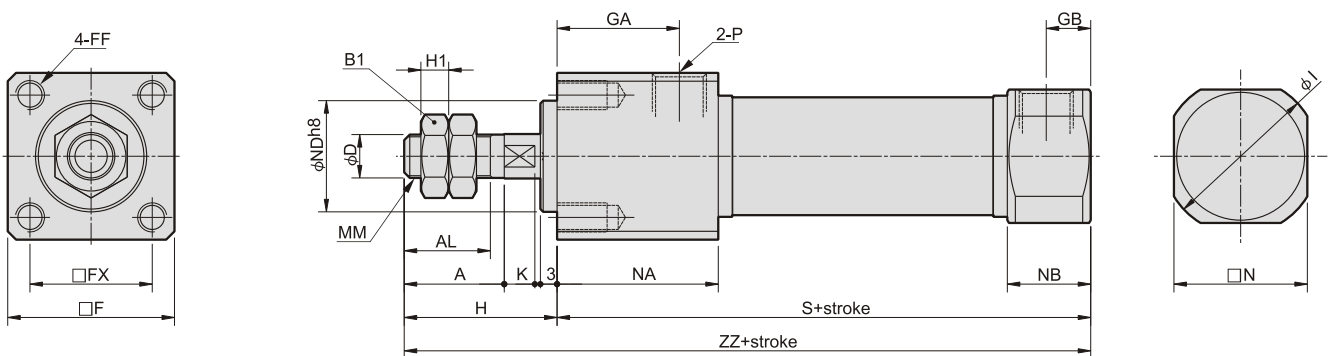


(mm)

Code Tube I.D.	A	AL	B	B1	D	GA	GB	H	H1	I	K	L	LD	LH	LX	MM	N	NA	NB	ND
20	18	15.5	30	13	8	22	8	27	5	28	5	33.5	$\phi 5.5$ thru, $\phi 9.5 \times 6.5$ depth	15	21	M8 \times 1.25	24	29	15	$20_{-0.033}^0$
25	22	19.5	36	17	10	22	8	31	6	33.5	5	39	$\phi 6.6$ thru, $\phi 11 \times 7.5$ depth	18	25	M10 \times 1.25	30	29	15	$26_{-0.033}^0$
32	22	19.5	42	17	12	22	8	31	6	37.5	5.5	47	$\phi 9$ thru, $\phi 14 \times 10$ depth	21	30	M10 \times 1.25	34.5	29	15	$26_{-0.033}^0$
40	24	21	52	22	14	27	11	34	8	46.5	7	58.5	$\phi 11$ thru, $\phi 17.5 \times 12.5$ depth	26	38	M14 \times 1.5	42.5	37.5	21.5	$32_{-0.039}^0$

Code Tube I.D.	P	S	X	Y	ZZ
20	Rc1/8	76	39	12	103
25	Rc1/8	76	43	12	107
32	Rc1/8	78	43	12	109
40	Rc1/4	104	49	15	138

MCMBRB

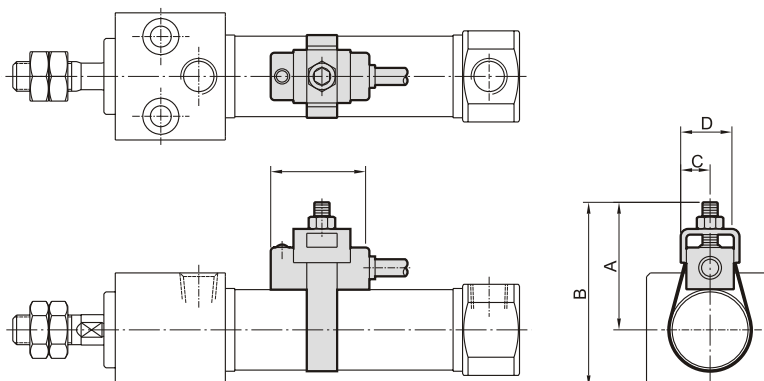


(mm)

Code Tube I.D.	A	AL	B1	D	F	FF	FX	GA	GB	H	H1	I	K	MM	N	NA	NB	ND	P	S	ZZ
20	18	15.5	13	8	30	M5 \times 0.8 \times 9 depth	22	22	8	27	5	28	5	M8 \times 1.25	24	29	15	$20_{-0.033}^0$	Rc1/8	76	103
25	22	19.5	17	10	36	M6 \times 1.0 \times 11 depth	26	22	8	31	6	33.5	5	M10 \times 1.25	30	29	15	$26_{-0.033}^0$	Rc1/8	76	107
32	22	19.5	17	12	42	M6 \times 1.0 \times 11 depth	30	22	8	31	6	37.5	5.5	M10 \times 1.25	34.5	29	15	$26_{-0.033}^0$	Rc1/8	78	109
40	24	21	22	14	52	M8 \times 1.25 \times 14 depth	36	27	11	34	8	46.5	7	M14 \times 1.5	42.5	37.5	21.5	$32_{-0.039}^0$	Rc1/4	104	138

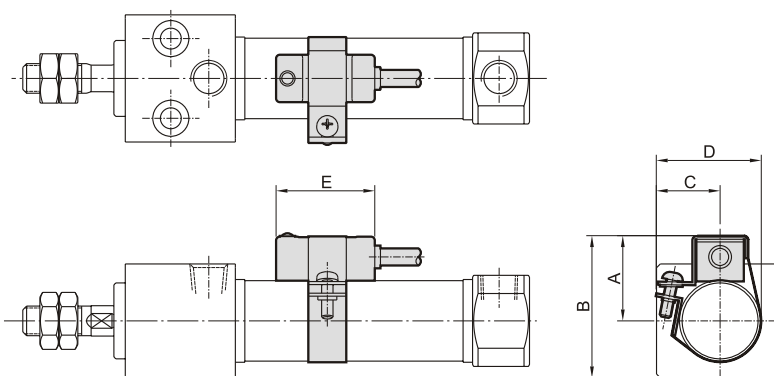
Sensor switch: RCA
Sensor switch band: BA**

Code Tube I.D.	A	B	C	D	E
20	34	49	8	16	26
25	37	55	8	16	26
32	40	62	8	16	26
40	44	71	8	16	26



Sensor switch: RCA
Sensor switch band: BGS**

Code Tube I.D.	A	B	C	D	E
20	25	40	18	30	26
25	25.5	43.5	18.5	33.5	26
32	29	50.5	22	39.5	26
40	33	60	26	47.5	26



Sensor switch: RCM
Sensor switch band: BM**

Code Tube I.D.	A	B	C	D	E
20	22	37	10	16	28
25	25	43	10	16	28
32	28	50	10	16	28
40	32	59	10	16	28

