

MAR402 series

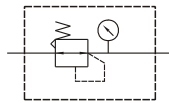
AIR UNITS (R. UNIT)



mindman



Symbol



Specification

Model	MAR402		
Bore No.	10A	15A	20A
Port size	3/8	1/2	3/4
Medium	Air		
Max. operating pressure	1 MPa		
Proof pressure	1.5 MPa		
Regulation pressure range	0.05~0.85 MPa		
Ambient temperature	-5~+60°C (No freezing)		
Attachment	Pressure gauge		
Weight	974 g		

Order example

MAR402 — 15A — □

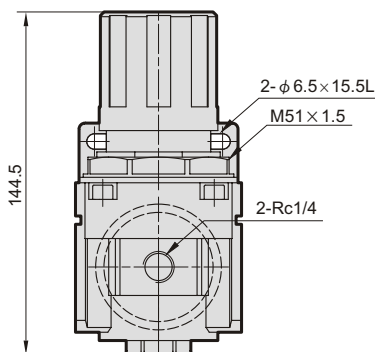
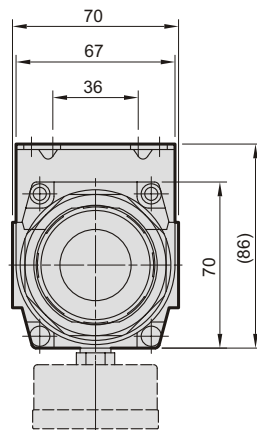
MODEL

BORE SIZE

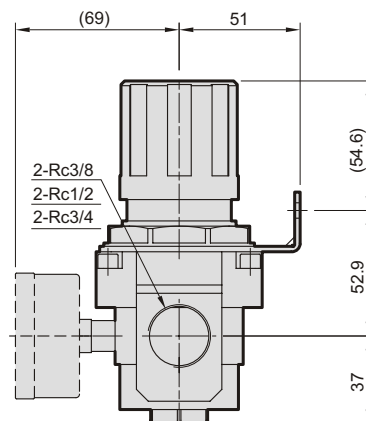
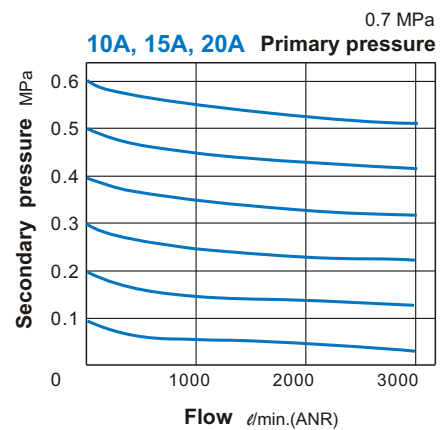
10A : 3/8
15A : 1/2
20A : 3/4

PORT THREAD

Blank: Rc thread
G: G thread
NPT: NPT thread



Flow feature



mindman