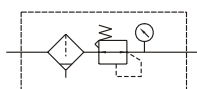


MAFR302 series With high precision digital pressure switch

AIR UNITS (F.R.UNIT)



Symbol:



Specification:

Model	MAFR302		
Bore No.	8A	10A	15A
Port size	PT 1/4	PT 3/8	PT 1/2
Medium	Air		
Operating pressure range	0~9.9kgf/cm ² (0~0.99MPa)		
Test pressure	15kgf/cm ² (1.5MPa)		
Effective orifice	32 mm ²	34 mm ²	
Regulated pressure range	0.5~8.5kgf/cm ² (0.05~0.85MPa)		
Ambient temperature	-5~+60°C (No freezing)		
Filter element	Standard: 5 μm Option: 40 μm		
Attachment	Bracket		
Weight	544 g (with 2-meter lead wire), 509 g (with male connector)		

※ Standard unit contains semi-auto-drain function when operating pressure below 0.5 kgf/cm².

Order example (Air units):

MAFR302 - 8A - □ - E3 - □ - BSP

MODEL

BORE SIZE
8A: PT 1/4
10A: PT 3/8
15A: PT 1/2

PRESSURE SWITCH

E1: MP41P-02
E2: MP41P-02-QD
E3: MP41P-02-J
E4: MP41P-02-QD-J
E5: MP41P-04
E6: MP41P-04-QD
E7: MP41P-04-J
E8: MP41P-04-QD-J

FILTER ELEMENT

Blank: 5 μm
40u: 40 μm

PORT THREAD

Blank: PT thread
BSP: BSP thread
NPT: NPT thread

Blank: Standard type
D: auto drain valve (FMRF 300)

Pressure switch :

MP41P - 02 - QD - □

MODEL

OUTPUT METHOD
02 : 1 NPN output
04 : 1 PNP output

PRESSURE UNIT
Blank: Unit changeable
J : Unit unchangeable
(Fixed unit is MPa)

PRESSURE RANGE
P: Positive
(-0.100~1.000 MPa)

CABLE LENGTH / CONNECTOR

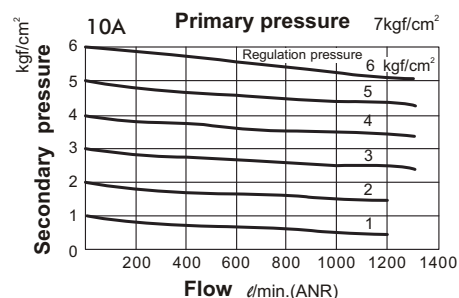
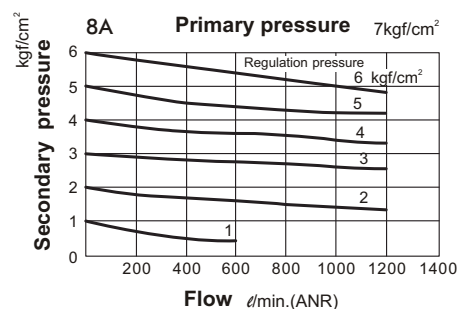
Blank: With 2 meter cable
QD : With M8, 4 Pin male connector

※ See MP41 series for specifications.

MP41 applicable model :

Series	302	401	403
F.R.L.Unit	MACP302	MACP401	MACP403
F.R.L.Unit	MACT302	MACT401	MACT403
F.R.Unit	MAFR302	MAFR401	MAFR403
R. Unit	MAR302	MAR401	MAR403
F.R.Unit	—	MAFRF401	—
F.R.Unit	—	MATFR401	—

Flow feature:

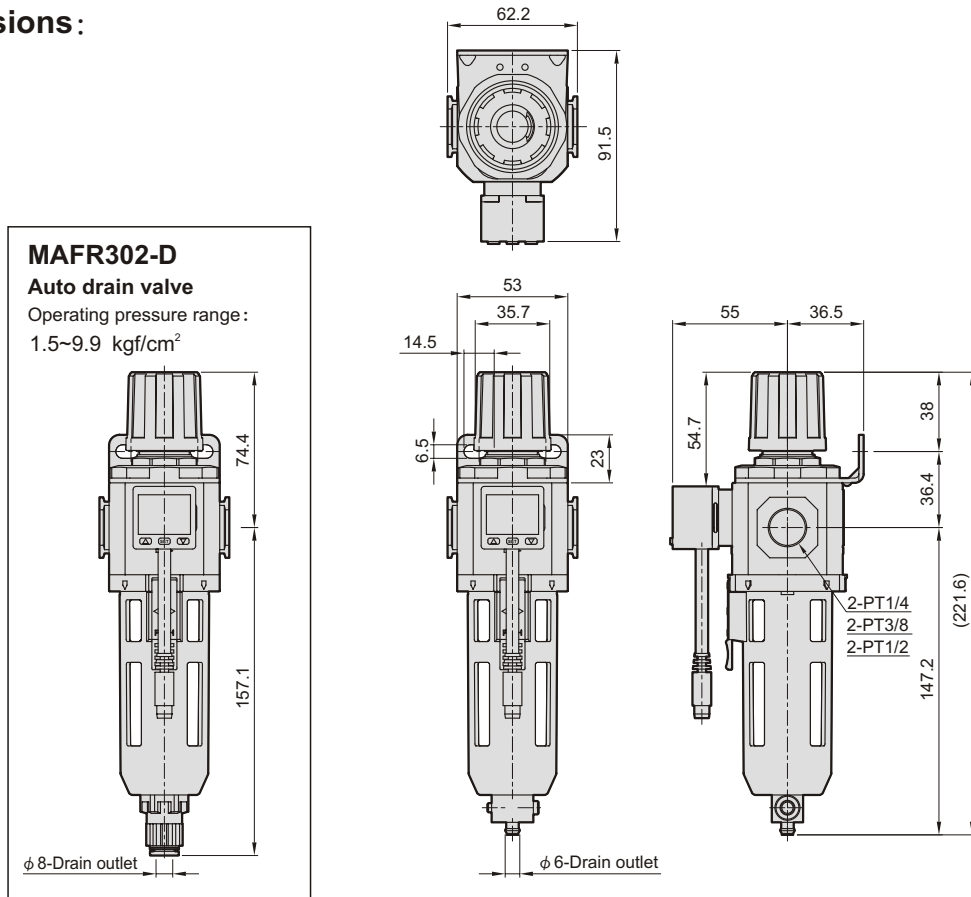


MAFR302 Dimensions

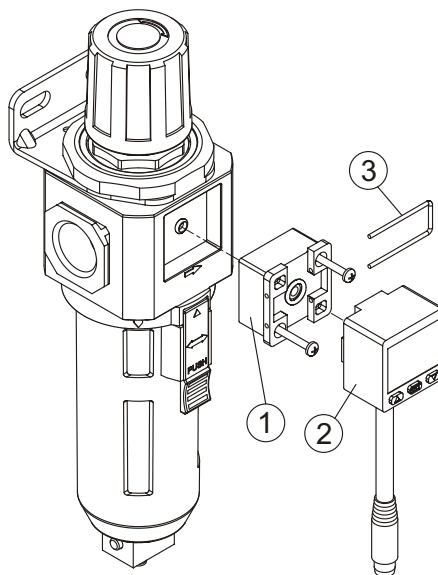
AIR UNITS (F.R.UNIT)



Dimensions :



Mounting procedures:



1. Fix the holder.
2. Assembly the digital pressure switch.
3. Button the n-ring.