

Specification

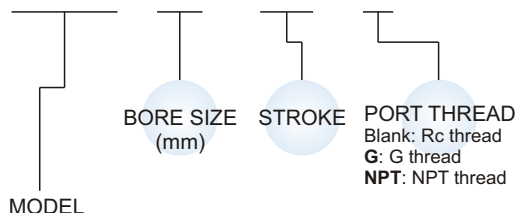
Model	MSL*
Medium	Air
Operating pressure range	0.2~1 MPa
Proof pressure	1.5 MPa
Ambient temperature	-5~+60°C (No freezing)
Lubrication	Not required
Cushion	With rubber cushion pad

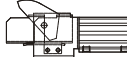



Model	Magnet	Sensor switch	Weight
MSLP-P-φ 32-40	With magnet	RCE, RCE1	840 g
MSLP-CP-φ 32-40	With magnet	RCE, RCE1	840 g
MSLL-φ 25-30	Without magnet	—	1850 g
MSLL-φ 40-30	With magnet	RCA	4550 g
MSLD-φ 50-50	With magnet	RCB,RCE,RCE1	8750 g

※ RCA, RCE / RCE1 specifications please refer to the **V-05**, **V-09** page.

Order example

MSLP — 32 — 40 — G

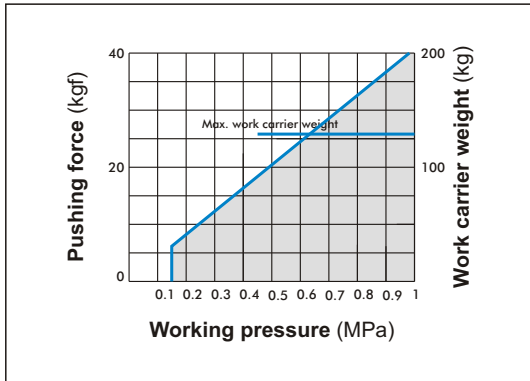


Type of cylinder	Operation type
MSLP-P 	Double acting Extend type
MSLP-CP 	Double acting Return type
MSLL 	Double acting without spring Stopper with roller
	Option: Double acting with spring Stopper with roller
MSLD 	Double acting with spring Shockless stopper

STOPPER CYLINDER

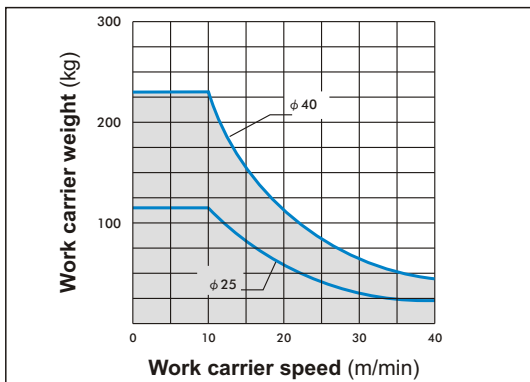
MSLP-* $\phi 32-40$

Capacity



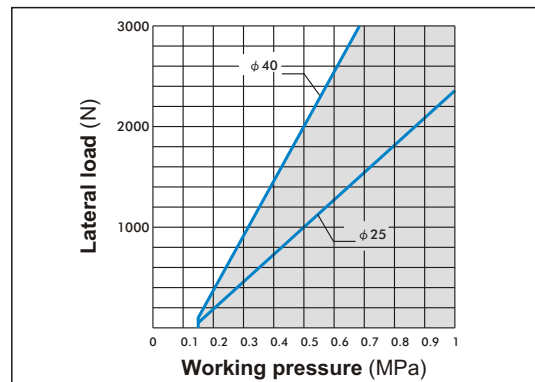
MSLL

Capacity



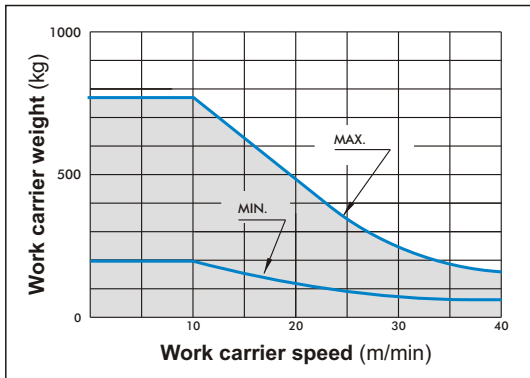
MSLL

Normal lateral load



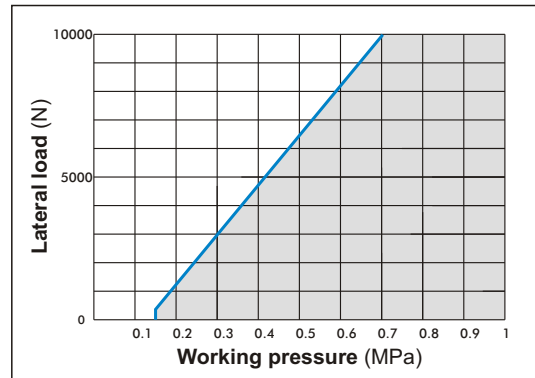
MSLD $\phi 50$

Capacity

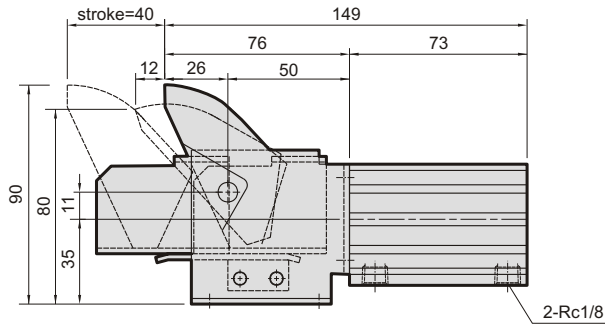
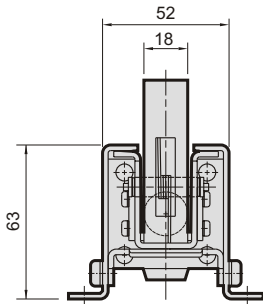


MSLD $\phi 50$

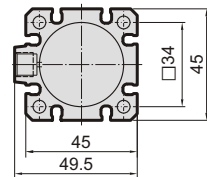
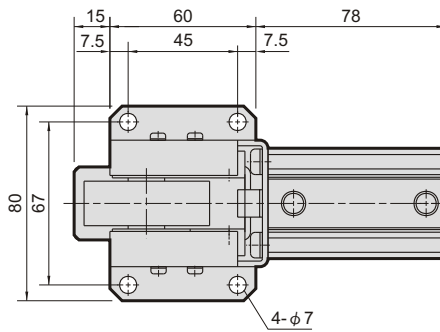
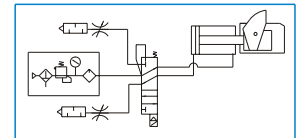
Normal lateral load



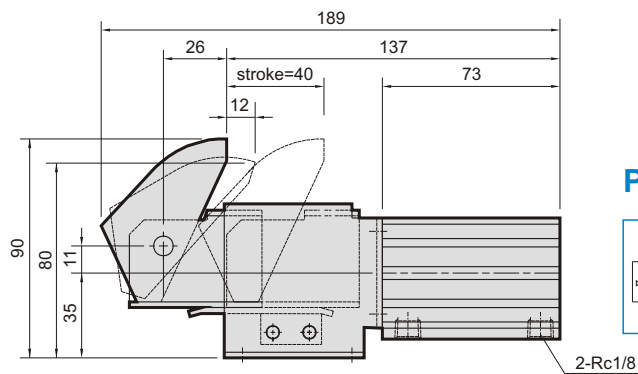
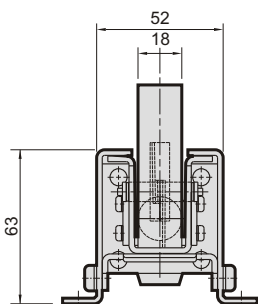
MSLP-P $\phi 32-40$



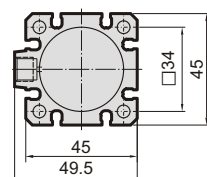
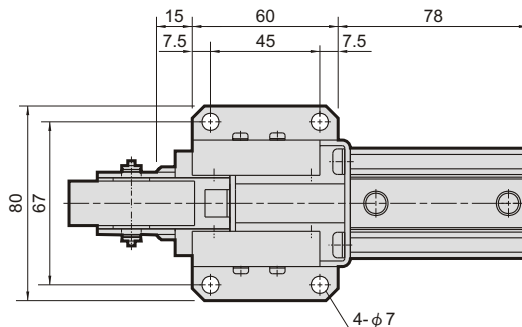
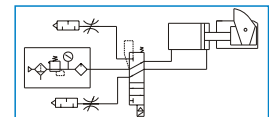
Piping diagram



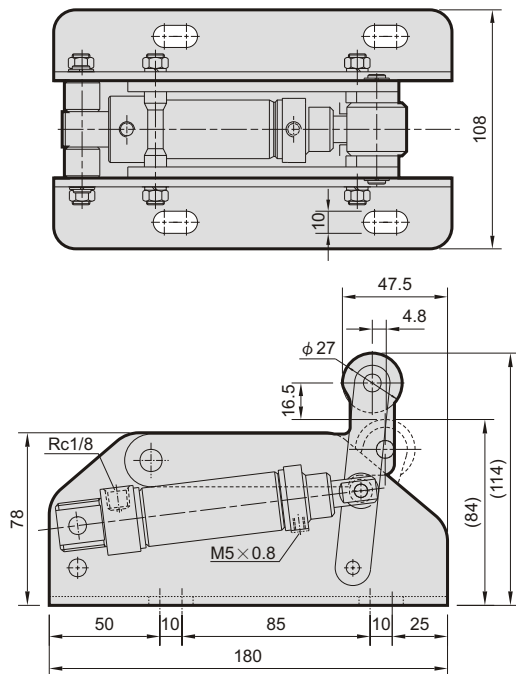
MSLP-CP $\phi 32-40$



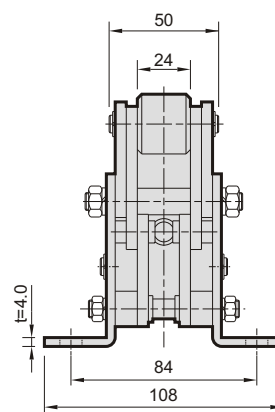
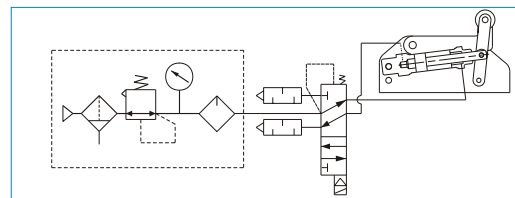
Piping diagram



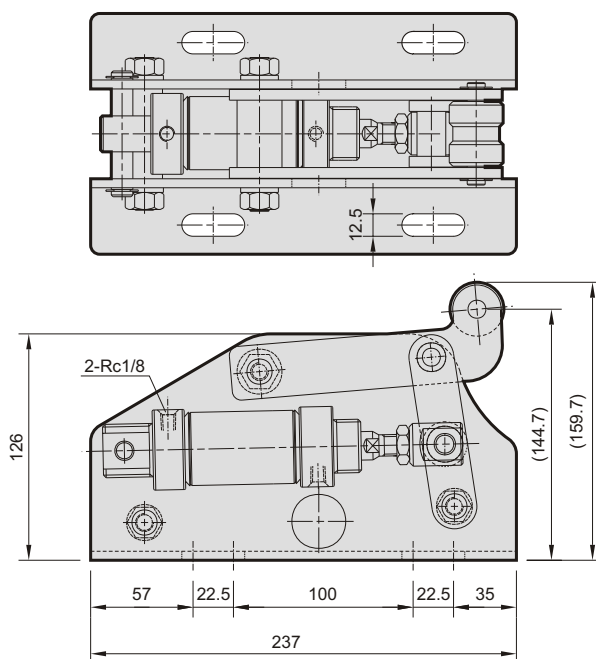
MSLL $\phi 25-30$



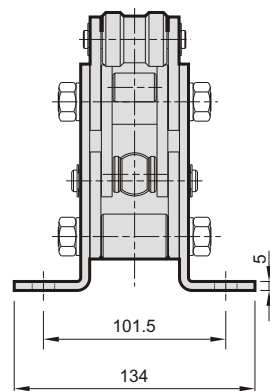
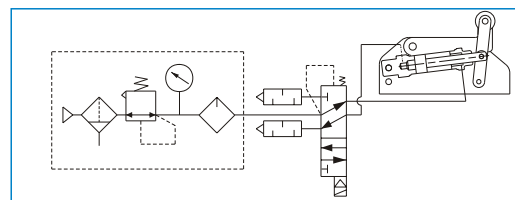
Piping diagram



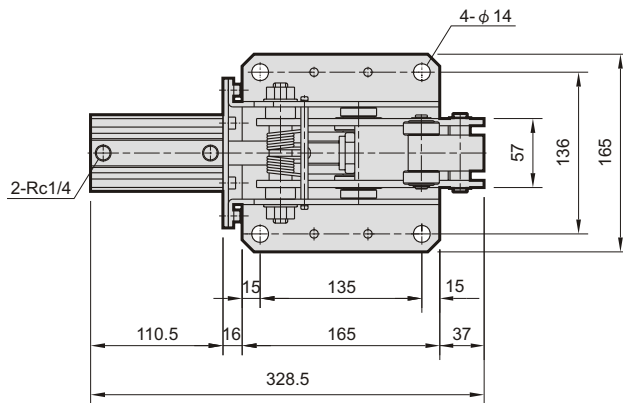
MSLL $\phi 40-30$



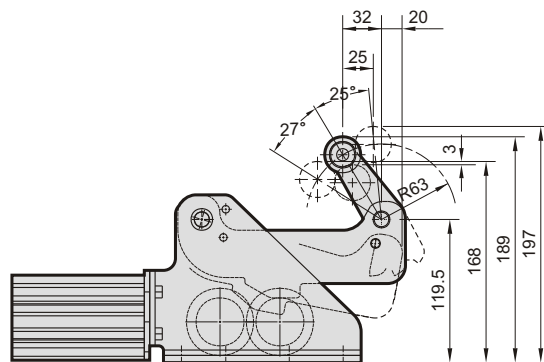
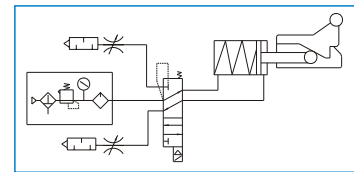
Piping diagram



MSLD $\phi 50-50$



Piping diagram



※Roller is made of rolled steel.

