

### Features

- Can be used as plate slide type or body slide type.
- The air cylinder and guide share a compact design which enables the cylinder to work smoothly along its stroke.
- The cylinder is extremely rigid and strong.
- Flush fitting sensor available.
- Magnetic as standard.

### Specification

Model	MCGD	
Model (Stop type view)		
Acting type	Double acting	
Tube I.D.(mm)	12,16	20,25,32
Port size	M5×0.8	Rc1/8
Medium	Air	
Operating pressure range	0.1~1 MPa	
Proof pressure	15 MPa	
Ambient temperature	-5~+60℃ (No freezing)	
Cushion	With rubber cushion pad	
Available speed range	50~500 mm/sec	
Lubrication	Not required	
Sensor switch	RCE, RCE1	

※ RCE, RCE1 specification, please refer to page V-09.

### Order example

MCGD - 03 - 12 - 50 - G

MODEL

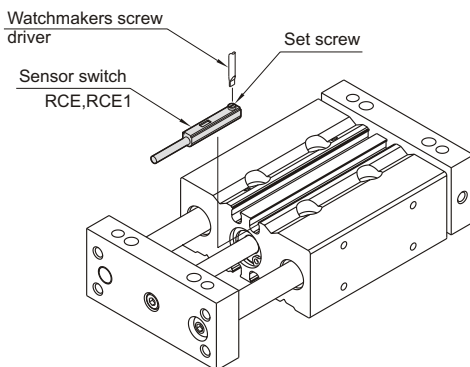
TUBE I.D. STROKE

PORT THREAD  
Blank: Rc thread  
G: G thread  
NPT: NPT thread

TYPE OF BEARING

Code	Type of bearing
03	Slide bearing
23	Linear bush bearing

### Installation of sensor switch

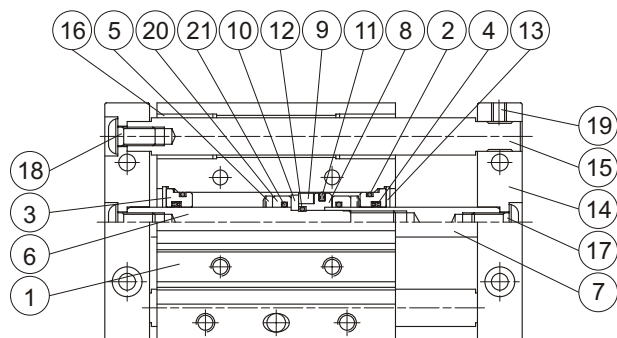


### Table for standard stroke

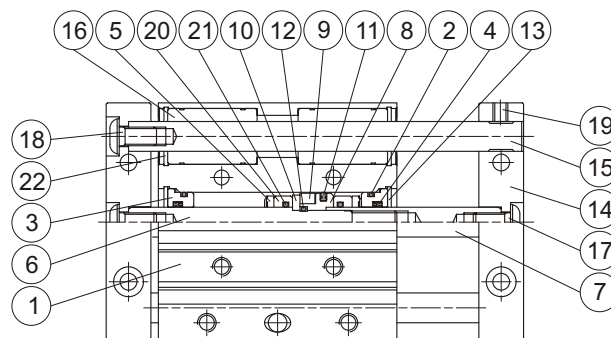
Series variety	Bearing type	Tube I.D.	Stroke (mm)										
			30	50	75	100	125	150	175	200	250	300	
MCGD -03	Slide bearing	φ 12											
		φ 16											
		φ 20											
		φ 25											
		φ 32											
MCGD -23	Linear bush bearing	φ 12											
		φ 16											
		φ 20											
		φ 25											
		φ 32											

- Stroke out of specification is also available.
- Please consult us if stroke out of specification.

### MCGD-03



### MCGD-23



### Material

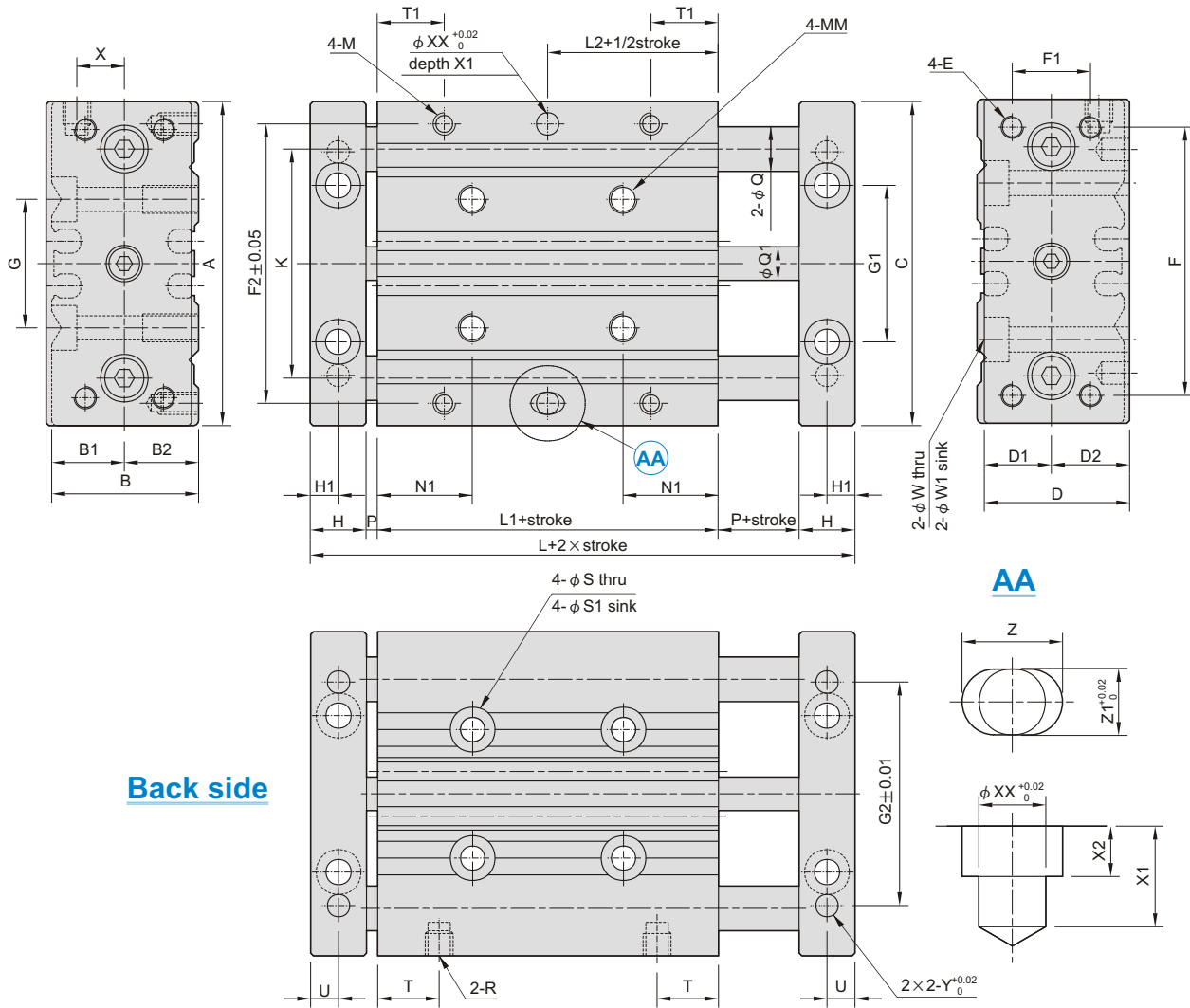
No.	Part name	Material	Note	Q'y	Repair kits (inclusion)
1	Body	Aluminum alloy		1	
2	Cover ring	NBR		2	●
3	Rod cover	Aluminum alloy		2	
4	Rod packing	NBR		2	●
5	Cushion	NBR		2	●
6	Piston rod #1	Carbon steel		1	
7	Piston rod #2	Carbon steel		1	
8	Piston	Aluminum alloy		1	
9	Magnet ring	Magnet material		1	
10	Magnet ring holder	Stainless steel		1	
11	Piston packing	NBR		1	●
12	Piston gasket	NBR		1	●
13	Snap ring	Spring steel		2	
14	Plate	Aluminum alloy		2	
15	Guide rod	Carbon steel	for 03 type	2	
		Special steel	for 23 type	2	
16	Bush	Bearing alloy	for 03 type	4	
	Slide bush	—	for 23 type	4	
17	Bolt for piston rod	Carbon steel		2	
18	Bolt for guide rod	Carbon steel		4	
19	Set screw	Carbon steel		2	
20	Spacer	Aluminum alloy		2	
21	O-ring	NBR		2	
22	Snap ring	Spring steel	for 23 type	4	

### Order example of repair kits

Tube I.D.	Repair kits
φ 12	PS-MCGD-12
φ 16	PS-MCGD-16
φ 20	PS-MCGD-20
φ 25	PS-MCGD-25
φ 32	PS-MCGD-32

TWIN-GUIDE SLIDE CYLINDER

MCGD-03/23



Back side

Code Tube I.D.	A	B	B1	B2	C	D	D1	D2	E	F	F1	F2	G	G1	G2	H	H1	K	L	L1	L2	M	MM	N1	Q		Q1	P	R
																								MCGD-03	MCGD-23				
12	58	26	13	13	58	26	12	14	M4	48	14	50	23	28	40	10	5	41.5	55	31	15.5	M4 × 7dp	M5 × 10dp	17	φ 8	φ 6	φ 6	2	M5
16	64	30	15	15	64	30	14	16	M5	52	16	54	24	32	50	12	6	46	62	34	17	M5 × 7dp	M5 × 10dp	17	φ 10	φ 8	φ 8	2	M5
20	85	36	19	17	85	36	16	20	M5	60	18	64	28	37	70	12	6	55	66	38	19	M5 × 7dp	M6 × 12dp	20.5	φ 12	φ 10	φ 10	2	PT 1/8
25	96	42	21	21	96	42	20	22	M6	70	26	76	34	44	84	12	6	65	67	39	19.5	M6 × 9dp	M6 × 12dp	19.5	φ 16	φ 13	φ 12	2	PT 1/8
32	116	51	25	26	116	51	24	27	M8	96	30	100	42	56	76	14	7	80	68	36	18	M8 × 11dp	M8 × 16dp	20	φ 20	φ 16	φ 16	2	PT 1/8

Code Tube I.D.	S	S1	T	T1	U	W	W1	X	XX	X1	X2	Y	Z	Z1
12	φ 4.3	φ 8 × 4.5dp	11	12	5	φ 4.5	φ 8 × 4.5dp	8.5	φ 4	6	3	φ 4 × 5dp	6	4
16	φ 4.3	φ 8 × 4.5dp	11	13	6	φ 4.5	φ 8 × 4.5dp	10	φ 5	6	3	φ 5 × 5dp	7	5
20	φ 5.2	φ 9.5 × 5.5dp	13.5	14	6	φ 5.5	φ 9.5 × 5.5dp	11.5	φ 6	8	4	φ 6 × 8dp	8	6
25	φ 5.2	φ 9.5 × 5.5dp	11	12	6	φ 5.5	φ 9.5 × 5.5dp	13.5	φ 6	8	4	φ 6 × 8dp	8	6
32	φ 6.8	φ 11.5 × 6.5dp	11	16.5	7	φ 6.6	φ 11 × 6.5dp	16	φ 8	12	6	φ 8 × 12dp	10	8