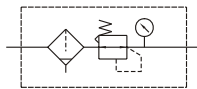


# MAFR410 series Stainless steel #316 type

AIR UNITS (F.R. UNIT)



## Symbol



## Specification

Model	MAFR410		
Bore No.	10A	15A	20A
Port size	3/8	1/2	3/4
Medium	Air		
Operating pressure range	0.05~1 MPa		
Proof pressure	1.5 MPa		
Regulated pressure range	0.05~0.85 MPa		
Ambient temperature	-5~+60°C (No freezing)		
Filter element	Standard: 40 μm Option: 5,20 μm		
Attachment	Pressure gauge, bracket		
Weight	2920 g		

※ Standard unit contains semi-auto-drain function when operating pressure below 0.05 MPa.

## Order example

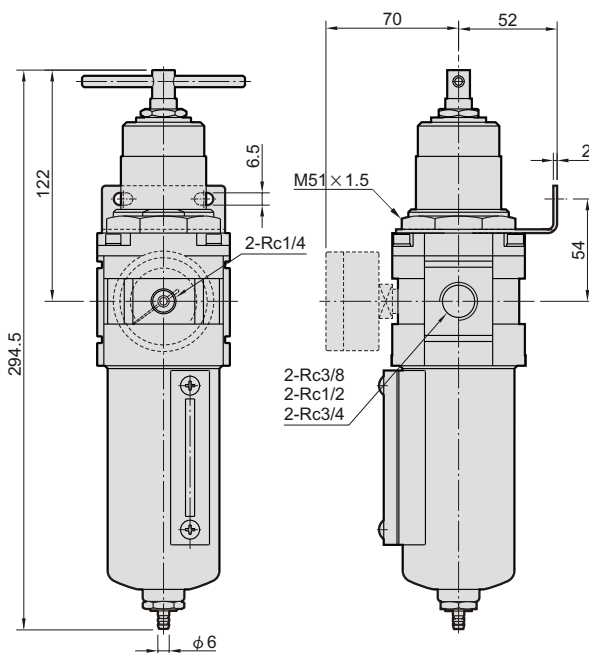
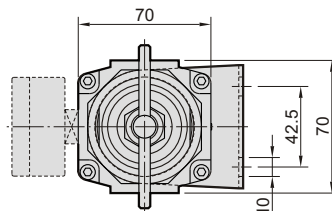
MAFR410 - 15A - D - □ - □

MODEL

BORE SIZE D: auto drain valve  
 10A: 3/8  
 15A: 1/2  
 20A: 3/4

FILTER ELEMENT  
 Blank: 40 μm  
 5u: 5 μm  
 20u: 20 μm

PORT THREAD  
 Blank: Rc thread  
 G: G thread  
 NPT: NPT thread



## Flow feature

