

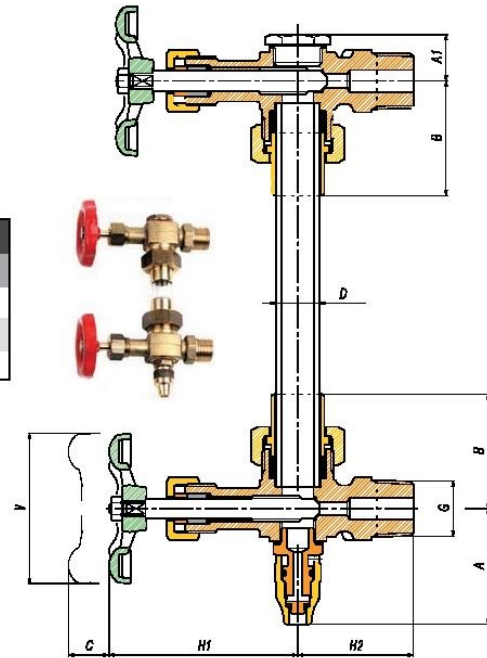
LV 1135

Tank Level Gauge

Brass Needle Valve Level Gauge

Pressure/Temperature Ratings	
Size	PN10
Temperature	10°C to 90°C

Dimensions								
G	D	A	A1	B	H1	H2	C	V
3/8"	13	43	19	38	71	38	17	55
1/2"	13	43	19	42	71	42	18	55
3/4"	18	48	24	46	83	45	15	59



Part Number for Plexiglass Tube - LV1154 - Available up to 2 Metre Length.