

# MACP300L series

AIR UNITS (F.R.L.UNIT)



mindman

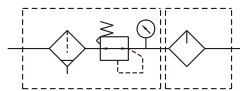


- Longer case for adapting high efficient auto drain valve.

## Specification

Model	MACP300L	
Components	MAFR300L, MAL300L	
Bore No.	8A	10A
Port size	1/4	3/8
Medium	Air	
Operating pressure range (※)	0.05~1 MPa	
Proof pressure	1.5 MPa	
Regulated pressure range	0.05~0.85 MPa	
Ambient temperature	-5~+60°C (No freezing)	
Filter element	Standard: 5 μm Option: 40 μm	
Lubricating oil capacity	65c.c	
Min. Flow for oil drip	50 ℓ/min	60 ℓ/min
Recommended lubricating oil	Turbine oil ISO-VG32	
Attachment	Pressure gauge (PG-40), T-type bracket	
Weight	739 g	

## Symbol



## Order example

MACP300L — 8A — □ — □ — T8 — □

MODEL

BORE SIZE

8A: 1/4  
10A: 3/8

FILTER ELEMENT  
Blank: 5 μm  
40u: 40 μm

D: Auto drain valve (FMRF300)  
N: Nylon bowl

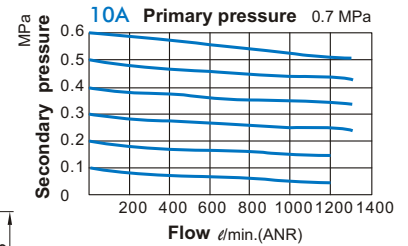
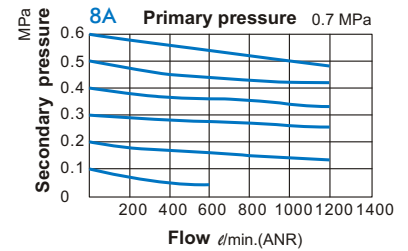
Module mounting bracket

T8: 1/4  
T10: 3/8

PORT THREAD

Blank: Rc thread  
G: G thread  
NPT: NPT thread

## Flow feature

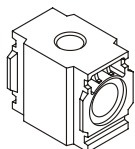
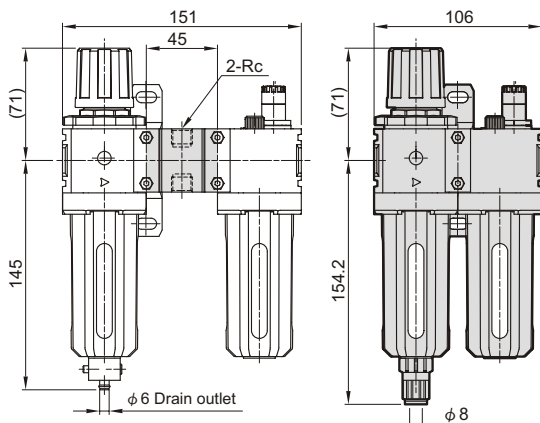


### MACP300L-T\*

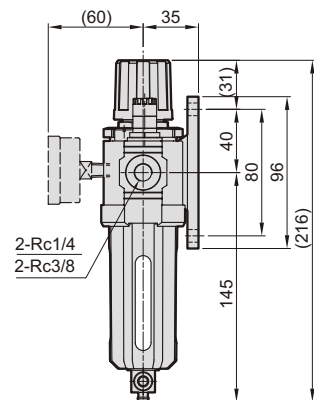
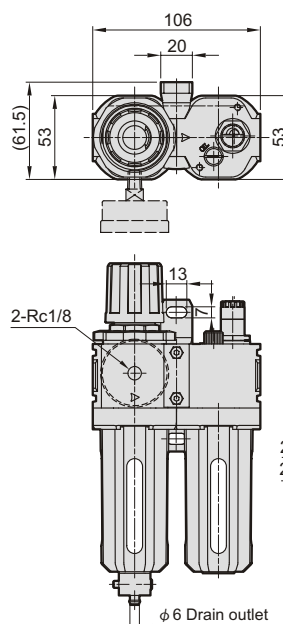
Module mounting bracket

### MACP300L-D

Auto drain valve



	Rc
T8	Rc1/4
T10	Rc3/8



mindman