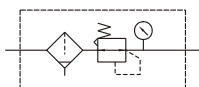


# MAFR300 series

AIR UNITS (F.R.UNIT)



## Symbol

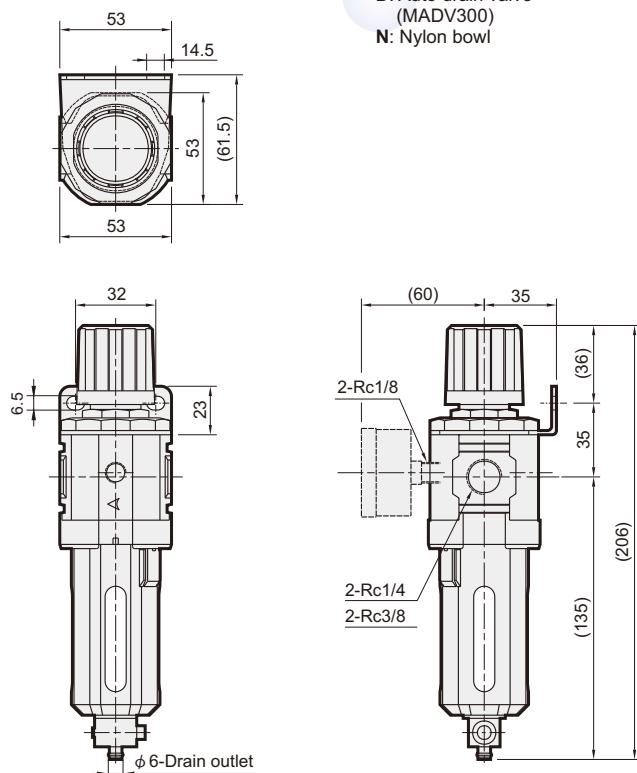
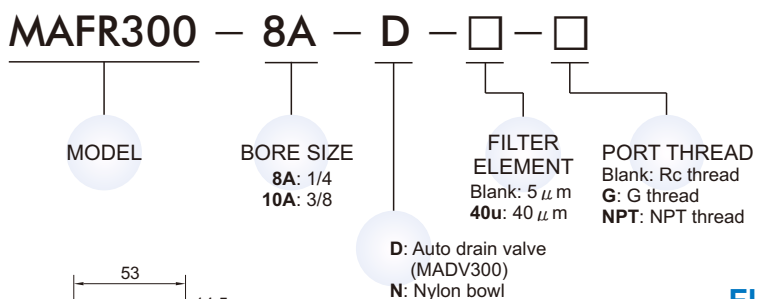


## Specification

Model	MAFR300	
Bore No.	8A	10A
Port size	1/4	3/8
Medium	Air	
Operating pressure range	0.05~1 MPa	
Proof pressure	1.5 MPa	
Regulated pressure range	0.05~0.85 MPa	
Ambient temperature	-5~+60°C (No freezing)	
Filter element	Standard: 5 μm Option: 40 μm	
Attachment	Pressure gauge (PG-40), bracket	
Weight	445 g	

※ Standard unit contains semi-auto-drain function when operating pressure below 0.05 MPa.

## Order example



## Flow feature

