

## Bronze Swing Check Valve

To BS5154, Series B, Metal Disc, Screwed BSPT

### Pressure/Temperature Ratings

Pressure	PN25
Temperature	-20°C to 186°C

### Minimum Operation Conditions:

Sizes ½" to 1" require 0.5 bar (7.25 psi) minimum line pressure with a differential pressure of 1 to 1.5 psi to allow the valve to open and close.

### Flow Rates

	½"				¾"			
Flow (l/s)	0.04	0.10	0.20	0.40	0.04	0.10	0.40	1.00
Cv	2.1	4.3	5.9	6.5	3.1	6.3	15.6	17.6
Kv	1.8	3.7	5.1	5.7	2.7	5.5	13.6	15.3
	1"				1¼"			
Flow (l/s)	0.01	0.20	0.30	1.00	0.20	0.30	0.40	1.00
Cv	8.8	16.0	21.1	29.1	17.2	23.7	29.1	37.5
Kv	7.7	13.9	18.4	25.3	15.0	20.6	25.3	32.6
	1½"				2"			
Flow (l/s)	0.40	0.60	0.80	3.00	0.60	0.80	1.50	4.00
Cv	34.8	46.2	55.7	62.5	48.3	62.0	99.0	112.6
Kv	30.3	40.2	48.5	54.4	42.0	54.0	86.2	98.0

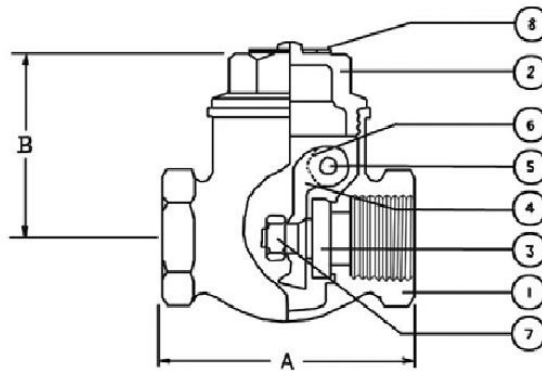
\*Cv - flow rate in US GPM at a pressure drop of 1 psi.

\*Kv - flow rate in m<sup>3</sup> per hour at a pressure drop of 1 bar.

Note: Flow information on 2½", 3" and 4" is not currently available.

### Material List

Part No.	Description	Material
1	Body	Gunmetal
2	Cap	Forged Brass (½" to 2") Gunmetal (2½" to 4")
3	Valve	Gunmetal (2½" to 4")
4	Swinger	Brass Bar Gunmetal (1¼" to 4")
5	Swinger Pin	Brass Bar
6	Swinger Pin Cap	Brass Bar (2½" to 4" only)
7	Nut	Brass Bar



### Dimensions

Size	A	B	Kg
½"	62	45	0.37
¾"	76	55	0.59
1"	83	60	0.86
1¼"	94	65	1.27
1½"	105	75	1.58
2"	125	90	2.59