

MAFR402 series

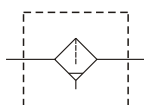
AIR UNITS (F.R. UNIT)



Mindman



Symbol



Specification

Model	MAFR402		
Bore No.	10A	15A	20A
Port size	3/8	1/2	3/4
Medium	Air		
Operating pressure range	0.05~1 MPa		
Proof pressure	1.5 MPa		
Regulated pressure range	0.05~0.85 MPa		
Ambient temperature	-5~+60°C (No freezing)		
Filter element	Standard: 40 μm Option: 5, 20 μm		
Attachment	Pressure gauge, bracket		
Weight	1186 g		

※ Standard unit contains semi-auto-drain function when operating pressure below 0.05 MPa.

Order example

MAFR402 - 15A - D - □ - □

MODEL

BORE SIZE

10A : 3/8
15A : 1/2
20A : 3/4

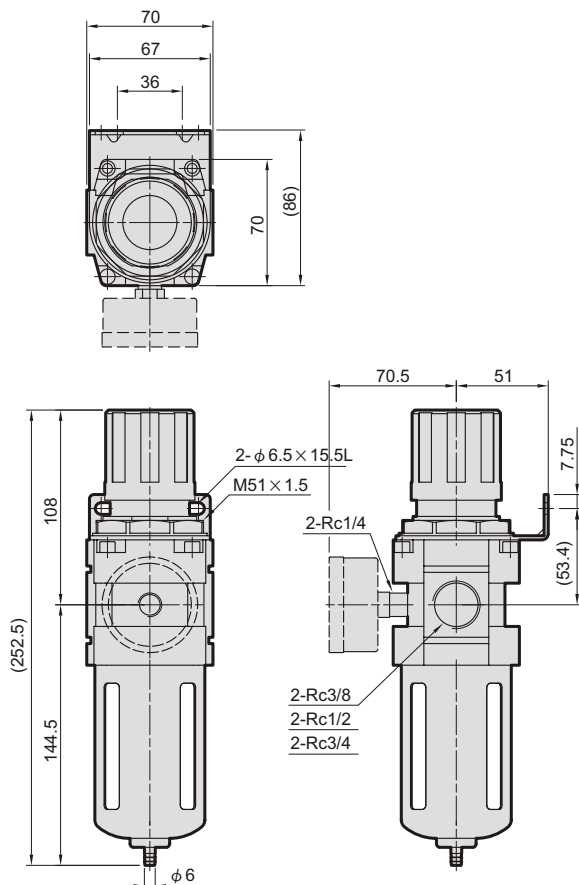
D: auto drain valve

FILTER ELEMENT

Blank: 40 μm
5u: 5 μm
20u: 20 μm

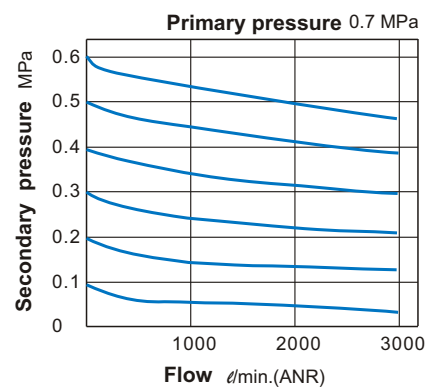
PORT THREAD

Blank: Rc thread
G: G thread
NPT: NPT thread



Flow feature

10A, 15A, 20A



Mindman