

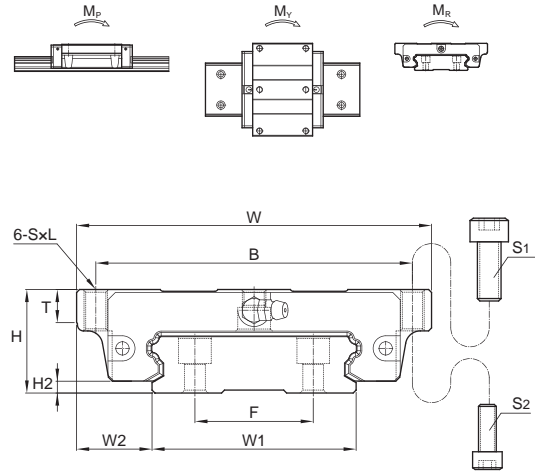
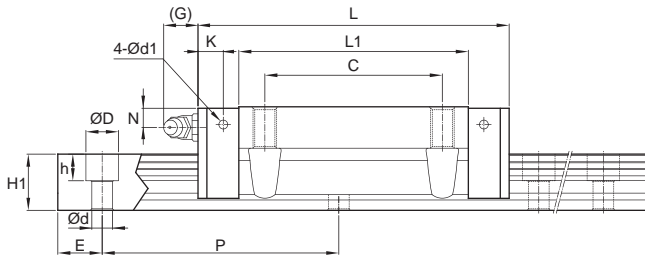
# WIDE RAIL TYPE MSG SERIES



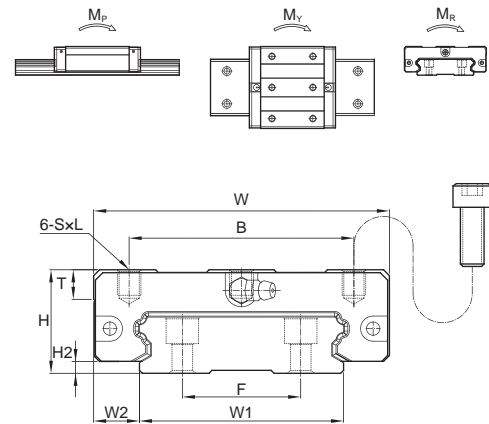
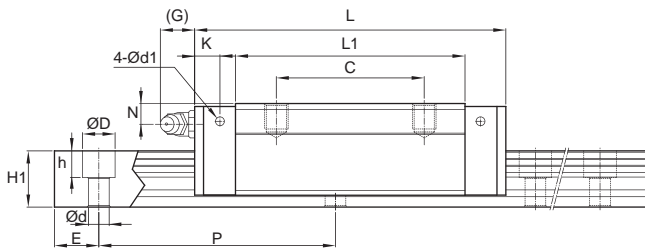
## Characteristics

- ▶ Wide rail and high torque resistance capacity.
- ▶ Particularly suitable for single rail application and can reduce installation errors where space is limited. It can save the time of assembly and adjustment.
- ▶ With a contact angle of  $45^\circ$  for design that enables it to bear an equal load in radial, reversed radial and lateral direction.
- ▶ With self alignment capability (DF function), it can absorb the installation errors.
- ▶ High precision, high stability.
- ▶ Reduce the height of installation.

## MSG-E



## MSG-S



Unit:mm

Model No.	Rail dimension					Basic load rating		Static moment rating				Weight		
	Width W <sub>1</sub>	Height H <sub>1</sub>	Pitch P	E std.	D x h x d	Dynamic C kN	Static C <sub>0</sub> kN	M <sub>p</sub> kN-m		M <sub>y</sub> kN-m		M <sub>r</sub> kN-m	Carriage kg	Rail kg/m
								Single*	Double*	Single*	Double*			
MSG21 S	37	11	50	15	7.5x5.3x4.5	7	12.1	0.08	0.46	0.08	0.46	0.22	0.25	2.86
MSG27 S	42	15	60	20	7.5x5.3x4.5	12.4	20.2	0.15	0.87	0.15	0.87	0.42	0.31	4.49
MSG35 S	69	19	80	20	11x9x7	30.7	48.6	0.65	3.6	0.65	3.6	1.67	0.99	9.4
MSG21 E	37	11	50	15	7.5x5.3x4.5	7	12.1	0.08	0.46	0.08	0.46	0.22	0.25	2.86
MSG27 E	42	15	60	20	7.5x5.3x4.5	12.4	20.2	0.15	0.87	0.15	0.87	0.42	0.31	4.49
MSG35 E	69	19	80	20	11x9x7	30.7	48.6	0.65	3.6	0.65	3.6	1.67	0.99	9.4

Unit:mm

Model No.	External dimension					Carriage dimension										
	Height H	Width W	Length L	W <sub>2</sub>	H <sub>2</sub>	B	C	F	S x L	L <sub>1</sub>	T	N	G	K	d	Grease Nipple
MSG21 S	21	54	59	8.5	3	31	19	22	M5x6	40	8	5	12	2.5	2.5	G-M6
MSG27 S	27	62	73	10	3	46	32	24	M6x6	51.8	10	6	12	3	3.3	G-M6
MSG35 S	35	100	105.2	15.5	4	76	50	40	M8x8	77.6	10	6	12	8.55	3.3	G-M6
MSG21 E	21	68	59	15.5	3	60	29	22	M5	40	8	5	12	2.5	2.5	G-M6
MSG27 E	27	80	73	19	3	70	40	24	M6	51.8	8	6	12	3	3.3	G-M6
MSG35 E	35	120	105.2	25.5	4	107	60	40	M8	77.6	11.2	6	12	8.55	3.3	G-M6