

MACP310 series Stainless steel #316 type

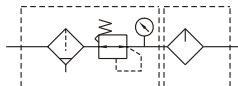
AIR UNITS (F.R.L.UNIT)



Mindman



Symbol



Specification

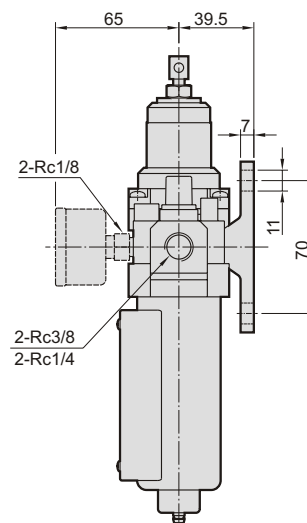
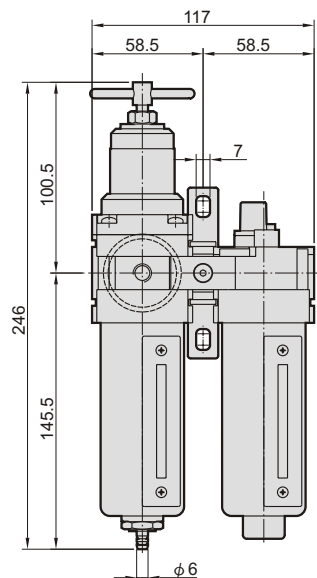
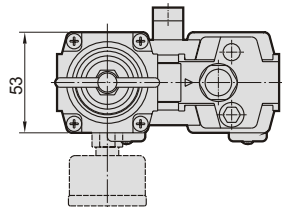
Model	MACP310	
Components	MAFR310, MAL310	
Bore No.	8A	10A
Port size	1/4	3/8
Medium	Air	
Operating pressure range	0.05~1 MPa	
Proof pressure	1.5 MPa	
Regulated pressure range	0.05~0.85 MPa	
Ambient temperature	-5~+60°C (No freezing)	
Filter element	Standard: 40 μm Option: 5, 20 μm	
Lubricating oil capacity	140 c.c	
Min. Flow for oil drip	30 ℓ/min	40 ℓ/min
Recommended lubricating oil	Turbine oil ISO-VG32	
Attachment	Pressure gauge, bracket	
Weight	1700 g	

Order example

MACP310 - 8A - D - □ - □

MODEL
BORE SIZE
 8A : 1/4
 10A : 3/8
D: auto drain valve
FILTER ELEMENT
 Blank: 40 μm
 5u: 5 μm
 20u: 20 μm
PORT THREAD
 Blank: Rc thread
 G: G thread
 NPT: NPT thread

※ Standard unit contains semi-auto-drain function when operating pressure below 0.05 MPa.



Mindman