

MACP200 series

AIR UNITS (F.R.L.UNIT)



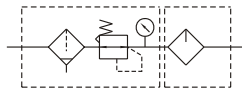
Mindman

Specification

Model	MACP200	
Components	MAFR200, MAL200	
Bore No.	6A	8A
Port size	1/8	1/4
Medium	Air	
Operating pressure range	0.05~1MPa	
Proof pressure	1.5 MPa	
Regulated pressure range	0.05~0.85MPa	
Ambient temperature	-5~+60°C (No freezing)	
Filter element	Standard: 40 μm Option: 5 μm	
Lubricating oil capacity	20c.c, 35c.c (MACP200L)	
Min. flow for oil drip	35 ℓ/min	50 ℓ/min
Recommended lubricating oil	Turbine oil ISO-VG32	
Attachment	Pressure gauge(PG-40), bracket	
Weight	432g, 380g (MACP200L)	



Symbol



Order example

MACP200L-6A-□-□-B-□

MODEL

BORE SIZE

6A: 1/8
8A: 1/4

Blank: Standard type
L: Longer case, no case guard

Blank: Standard type
B: Bracket

PORT THREAD

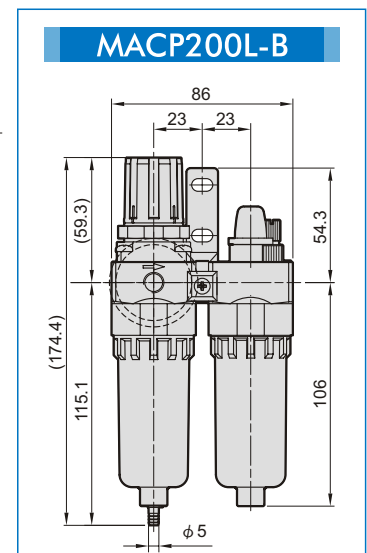
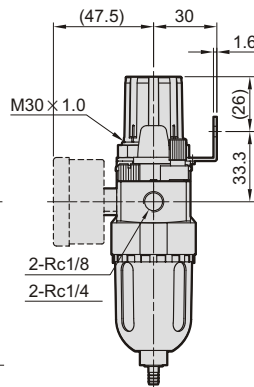
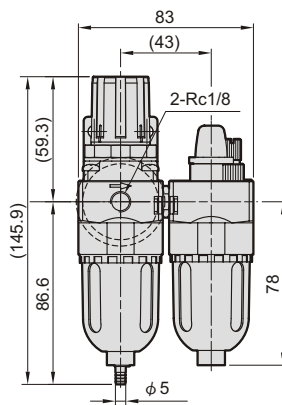
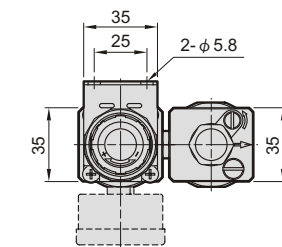
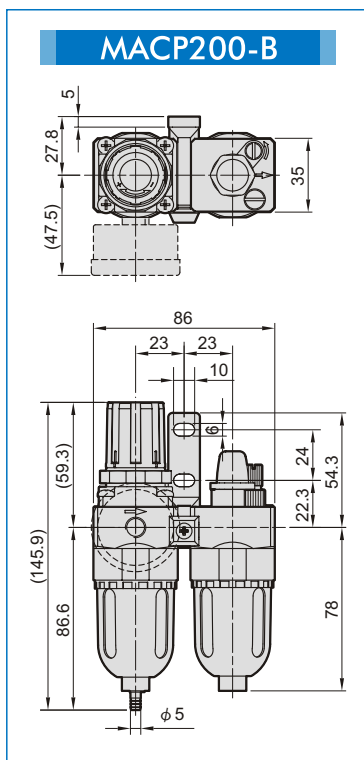
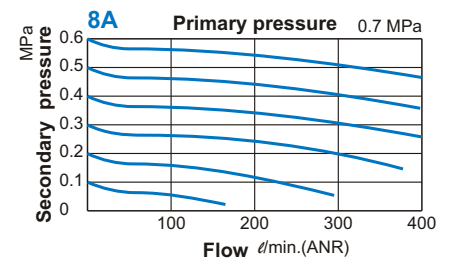
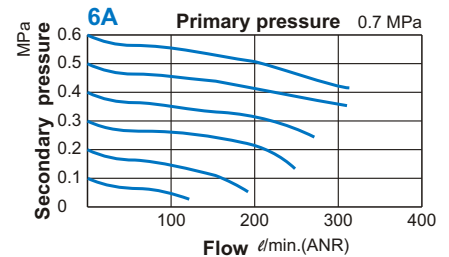
Blank: Rc thread
G: G thread
NPT: NPT thread

FILTER ELEMENT

Blank: 40 μm
5u: 5 μm

※ Standard unit contains semi-auto-drain function when operating pressure below 0.05 MPa.

Flow feature



Mindman