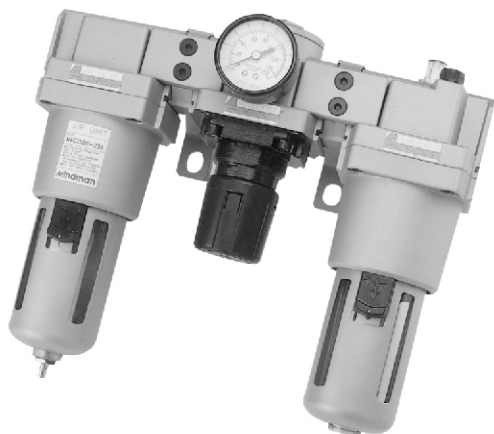


# MACT500 series

AIR UNITS (F.R.L.UNIT)



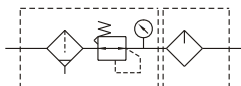
Mindman



## Specification

Model	MACT500	
Components	MAF500, MAR500, MAL500	
Bore No.	20A	25A
Port size	3/4	1
Medium	Air	
Operating pressure range	0.05~1 MPa	
Proof pressure	1.5 MPa	
Regulated pressure range	0.05~0.85 MPa	
Ambient temperature	- 5~ + 60°C (No freezing)	
Filter element	40 μm	
Lubricating oil capacity	175c.c	
Min. flow for oil drip	190 ℓ/min	
Recommended lubricating oil	Turbine oil ISO-VG32	
Attachment	Pressure gauge, bracket	
Weight	3800g	

## Symbol



## Order example

MACT500 – 20A – D – □

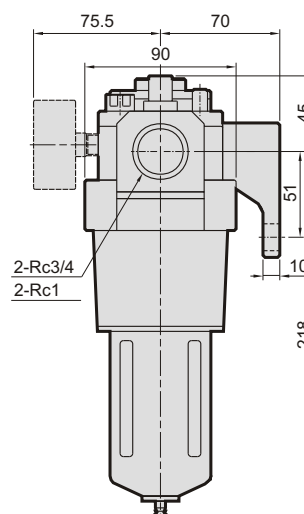
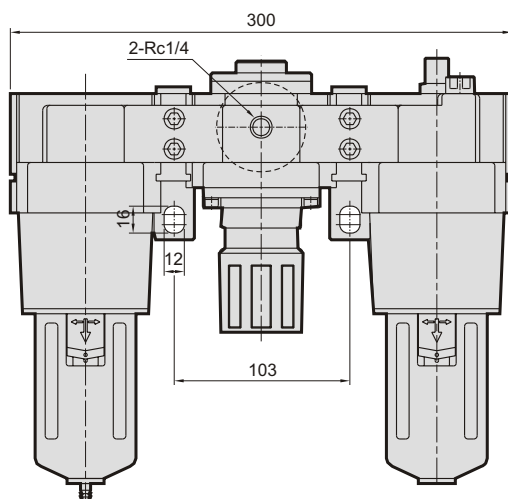
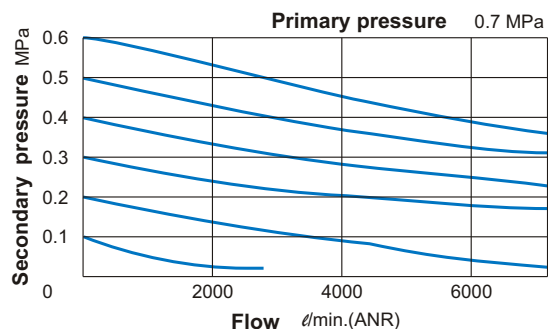
MODEL

BORE SIZE  
20A: 3/4  
25A: 1

D: auto drain valve  
(MADV 500)

PORT THREAD  
Blank: Rc thread  
G: G thread  
NPT: NPT thread

## Flow feature



Mindman