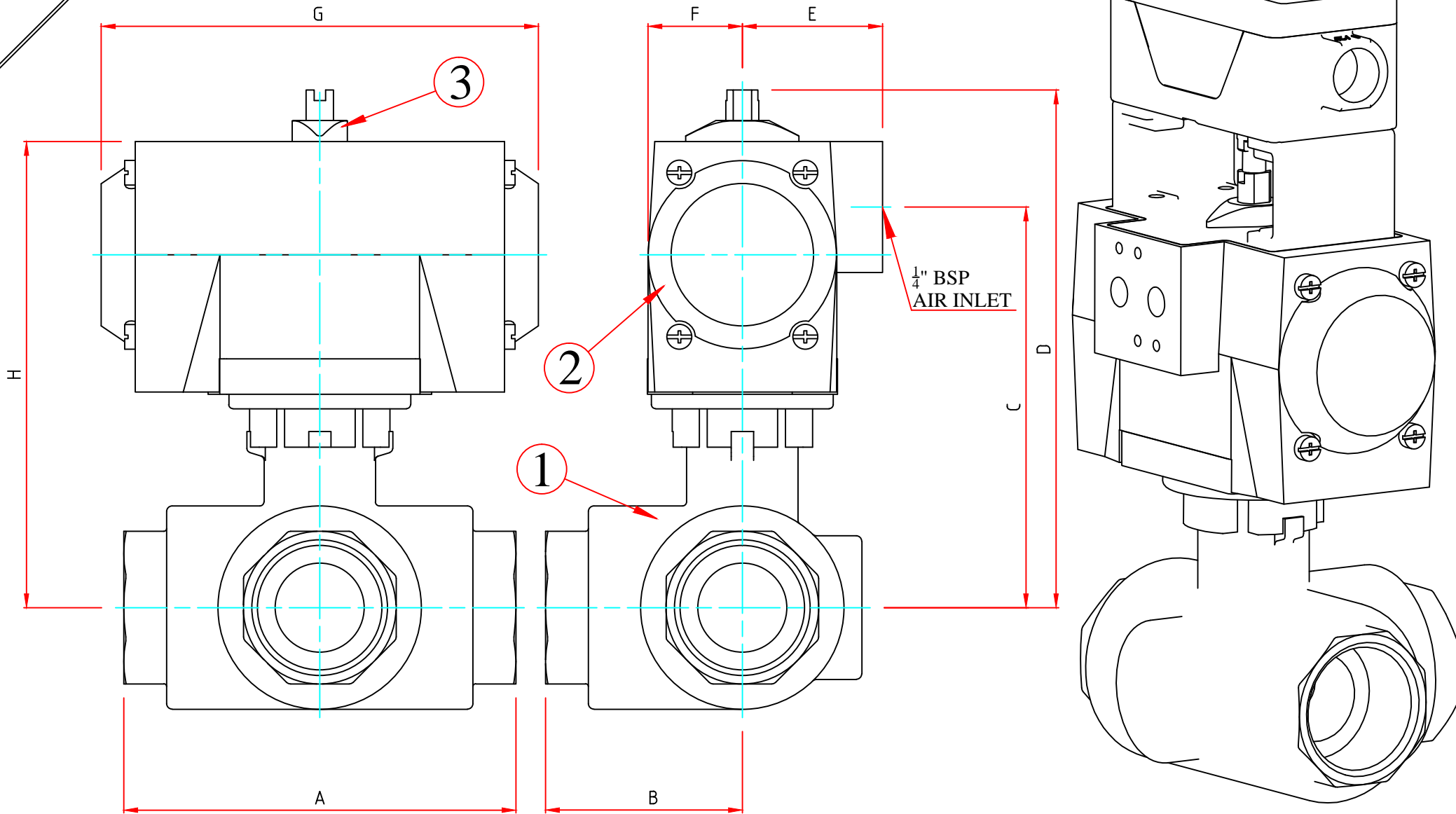


V5997

DO NOT SCALE

IF IN DOUBT ASK



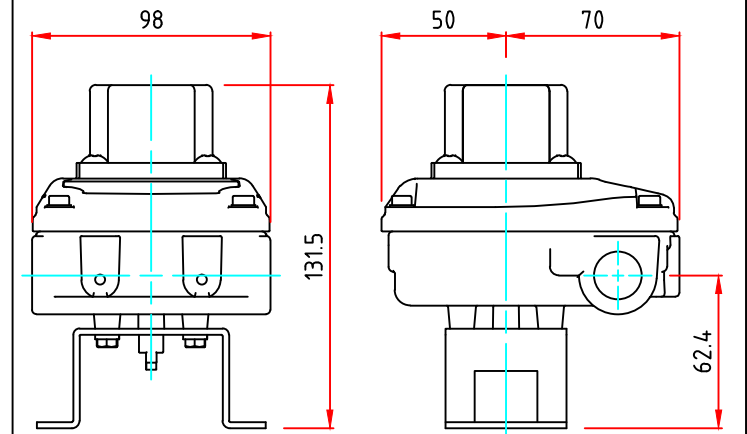
NOTES:
 1. VALVE SPECIFICATION
 BODY - NICKEL PLATED BRASS
 BALL - CHROME PLATED BRASS
 STEM - BRASS
 SEATS - PTFE
 SEAT O-RING - NBR
 STEM O-RING - NBR
 CONNECTION - BSPP

2. ACTUATOR SPECIFICATION
 MT SERIES:
 BODY - ANODIZED ALUMINUM
 END CAPS - EPOXY COATED ALUMINUM
 PINION - STAINLESS STEEL
 UT SERIES:
 BODY - TECHNO-POLYMER
 END CAPS - TECHNO-POLYMER
 PINION - NICKEL PLATED CARBON STEEL

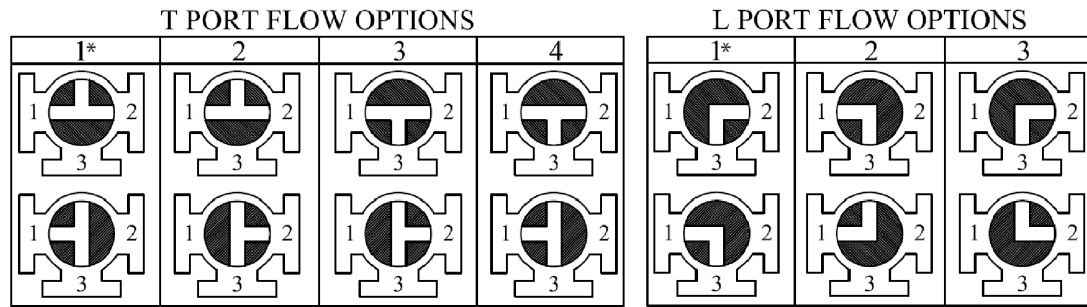
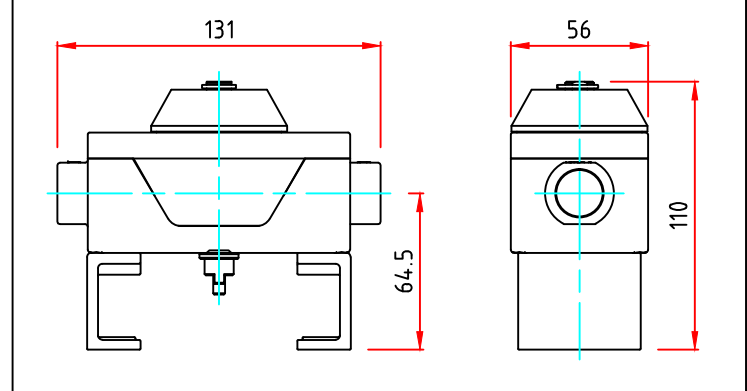
3. INDICATOR SPECIFICATION
 MT SERIES - BEACON TYPE
 UT SERIES - POINTER TYPE

4. VALVES ASSEMBLED AIR FAIL STAY PUT

SWITCHBOXES UTB5884,5,6,7,8 & 9



SWITCHBOXES UTB5882 & 3



* Option 1 standard

VALVE SIZE AND REF	ACTUATOR REF.	VALVE ACTION ON AIR FAIL	A	B	C	D	E	F	G	H
1/2" LV4510/4511	UT10-0A	STAY PUT	82	41	99	14.15	40	27	119	120.5
3/4" LV4510/4511	UT10-0A	STAY PUT	90	45	102	14.4.5	40	27	119	123.5
1" LV4510/4511	UT13-0C	STAY PUT	106	53	130.5	174	50.25	35.75	160	153
1 1/4" LV4510/4511	UT13-0C	STAY PUT	120	60	134.5	178	50.25	35.75	160	157
1 1/2" LV4510/4511	UT13-0C	STAY PUT	142	71	140.5	184	50.25	35.75	160	163
2" LV4510/4511	UT13-0C	STAY PUT	165	82.5	147.5	191	50.25	35.75	160	170
2 1/2" LV4510/4511	UT13-0C	STAY PUT	194	97	158.5	202	50.25	35.75	160	180.5

PART No	QTY PER ASSY	DESCRIPTION	MANUFACTURER	MATERIAL SPEC
			PART REF	TYPE
1	1	FULL BORE BALL VALVE	IDROSFER	SEE NOTES
			LV4510/4511 T OR L PORT	
2	1	PNEUMATIC ACTUATOR	MAX-AIR	SEE NOTES
		DOUBLE ACTING	UT/MT SERIES	
3	1	VISUAL POSITION INDICATOR	MAX-AIR	SEE NOTES
			-	

CUSTOMER: PRODUCT DATA SHEET		O/N: -	S/O: -
DRAWN: A. MACALISTER			
DATE: 03/01/2014			
CHK'D: -		DRAWN TO BS.8888	SCALE: NTS
THIS DRAWING IS THE PROPERTY OF LEENGATE VALVES AND MUST NOT BE USED FOR ANY PURPOSE OTHER THAN THAT FOR WHICH IT IS SUPPLIED. IT'S CONTENTS ARE SUPPLIED IN CONFIDENCE AND MUST NOT BE REPRODUCED WITHOUT WRITTEN PERMISSION.		SIZE: A3	DRAWING No. LG-GA-2014-04
		REV. A	TITLE: 1/2"-2 1/2" BRASS BALL VALVE 3 WAY T OR L PORT FITTED WITH DOUBLE ACTING ACTUATOR