

MAF200 series

AIR UNITS (Filter)



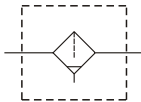
Mindman



Specification

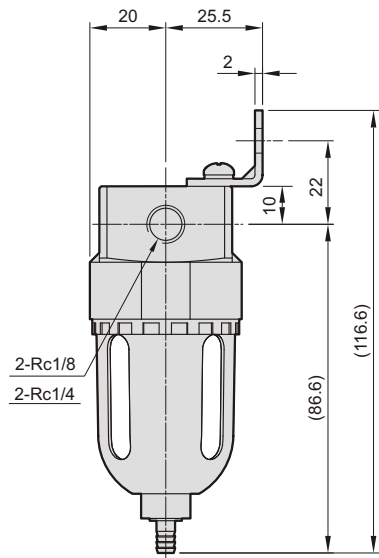
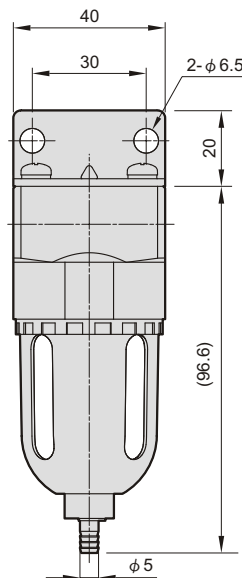
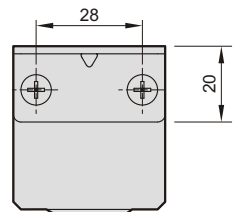
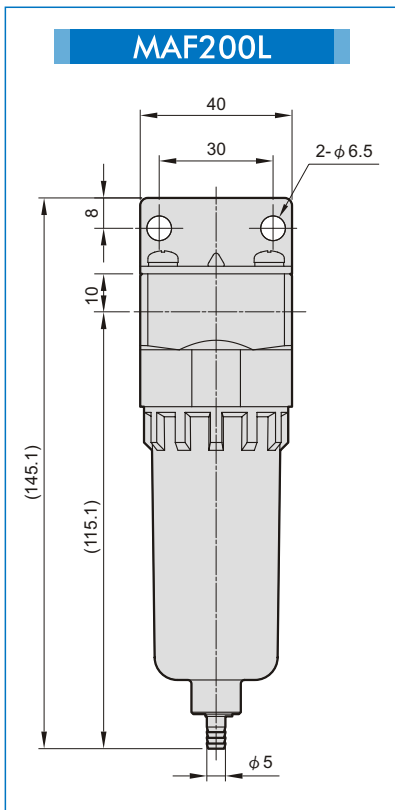
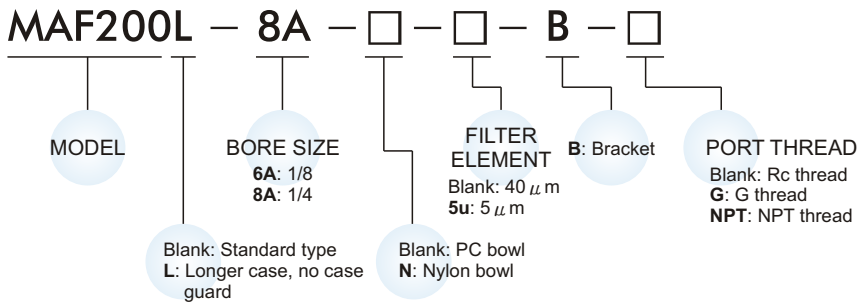
Model	MAF200	
Bore No.	6A	8A
Port size	1/8	1/4
Medium	Air	
Operating pressure range	0.05~1 MPa	
Proof pressure	1.5 MPa	
Ambient temperature	- 5~ + 60°C (No freezing)	
Filter element	Standard: 40 μm Option: 5 μm	
Weight	187 g, 155 g (MAF200L)	

Symbol



※ Standard unit contains semi-auto-drain function when operating pressure below 0.05 MPa.

Order example



Mindman