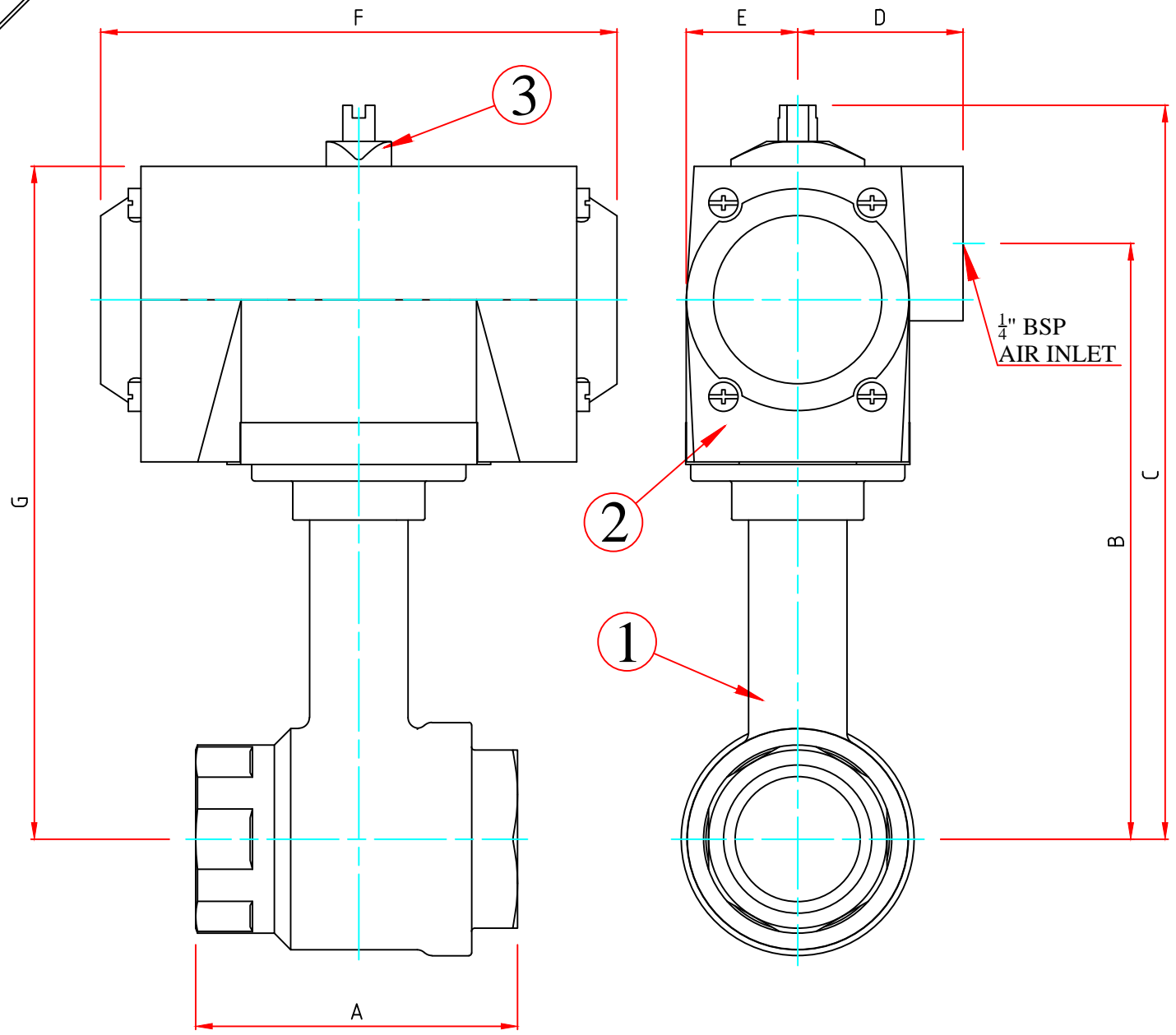


LV5984

DO NOT SCALE

IF IN DOUBT ASK

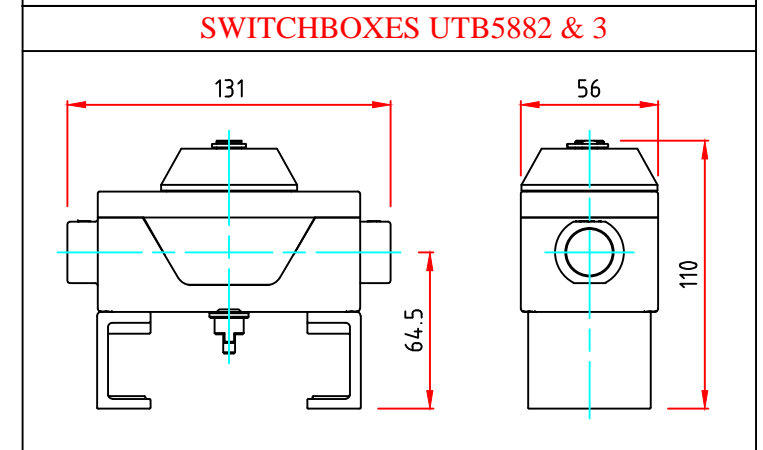
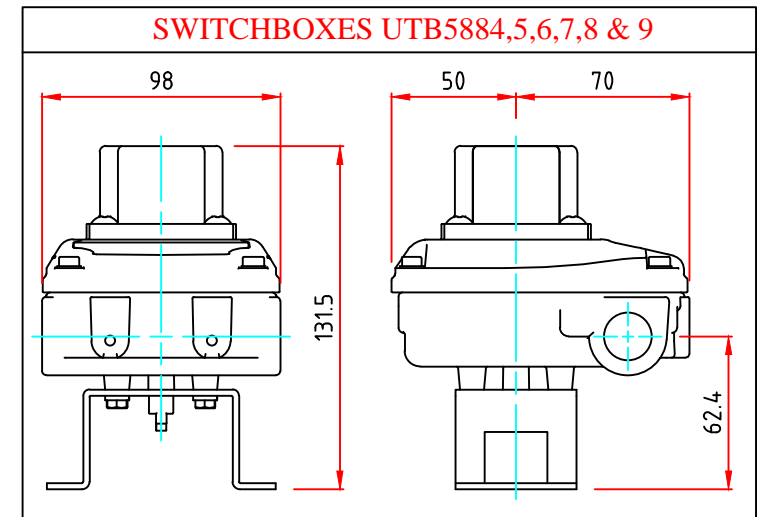


NOTES:
 1. VALVE SPECIFICATION
 BODY - NICKEL PLATED BRASS
 BALL - CHROME PLATED BRASS
 STEM - BRASS
 SEATS - PTFE
 SEAT O-RING - NBR
 STEM O-RING - NBR
 CONNECTION - BSPP

2. ACTUATOR SPECIFICATION
 MT SERIES:
 BODY - ANODIZED ALUMINUM
 END CAPS - EPOXY COATED ALUMINUM
 PINION - STAINLESS STEEL
 UT SERIES:
 BODY - TECHNO-POLYMER
 END CAPS - TECHNO-POLYMER
 PINION - NICKEL PLATED CARBON STEEL

3. INDICATOR SPECIFICATION
 MT SERIES - BEACON TYPE
 UT SERIES - POINTER TYPE

4. VALVES ASSEMBLED AIR FAIL STAY PUT



VALVE SIZE AND REF	ACTUATOR REF.	VALVE ACTION ON AIR FAIL	A	B	C	D	E	F	G
1/2" LV4509	UT10-0A	STAY PUT	56	137.5	180	4.0	27	119	160
3/4" LV4509	UT10-0A	STAY PUT	68	140.5	183	4.0	27	119	163
1" LV4509	UT10-0A	STAY PUT	78	146.5	189	4.0	27	119	169
1 1/4" LV4509	UT13-0C	STAY PUT	90	175.5	219	50.25	35.75	160	199
1 1/2" LV4509	UT13-0C	STAY PUT	100	125.5	225	50.25	35.75	160	205
2" LV4509	UT13-0C	STAY PUT	115	198.5	242	50.25	35.75	160	222

PART No	QTY PER ASSY	DESCRIPTION	MANUFACTURER		MATERIAL SPEC	
			PART REF	TYPE		
1	1	FULL BORE BALL VALVE	IDROSFER		SEE NOTES	
			LV4509			
2	1	PNEUMATIC ACTUATOR	MAX-AIR		SEE NOTES	
		DOUBLE ACTING	UT/MT SERIES			
3	1	VISUAL POSITION INDICATOR	MAX-AIR		SEE NOTES	
			-			

CUSTOMER: PRODUCT DATA SHEET		O/N: -	S/O: -
DRAWN: A. MACALISTER		TITLE: 1/2" TO 2" BRASS BALL VALVE EXTENDED FITTED WITH DOUBLE ACTING ACTUATOR	
DATE: 02/01/2014			
CHK'D: -	DRAWN TO BS.8888	SCALE: NTS	SIZE: A3
THIS DRAWING IS THE PROPERTY OF LEENGATE VALVES AND MUST NOT BE USED FOR ANY PURPOSE OTHER THAN THAT FOR WHICH IT IS SUPPLIED. IT'S CONTENTS ARE SUPPLIED IN CONFIDENCE AND MUST NOT BE REPRODUCED WITHOUT WRITTEN PERMISSION.		DIMENSIONS: mm	DRAWING No. LG-GA-2014-01
			REV. A