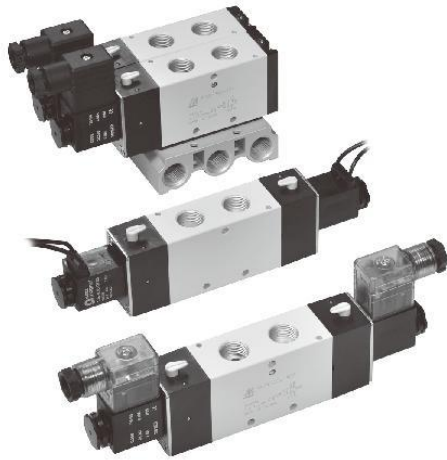


# MVSE-300 series

## SOLENOID VALVE



### Specification

Model	4E1	4E2	4E2C.P.R
Bore No.	10A		
Port size	Rc3/8		
No. of port	5		
No. of position	2	3	
Medium	Air		
Operating pressure range	0.2~1.2 MPa	0.3~1.2 MPa	
Proof pressure	1.5 MPa		
Effective orifice	35 mm <sup>2</sup>	34.5 mm <sup>2</sup>	
Response time	50 ms		
Ambient temperature	-5~ +50℃ (No freezing)		
Voltage	AC110V, AC220V (50/60)Hz, DC24V		
Power consumption	AC=6/4.9VA, DC=2.5W		
Available voltage range	±10%		
Insulation class	F class		
Weight	406g	508g	577g

### Order example of valve

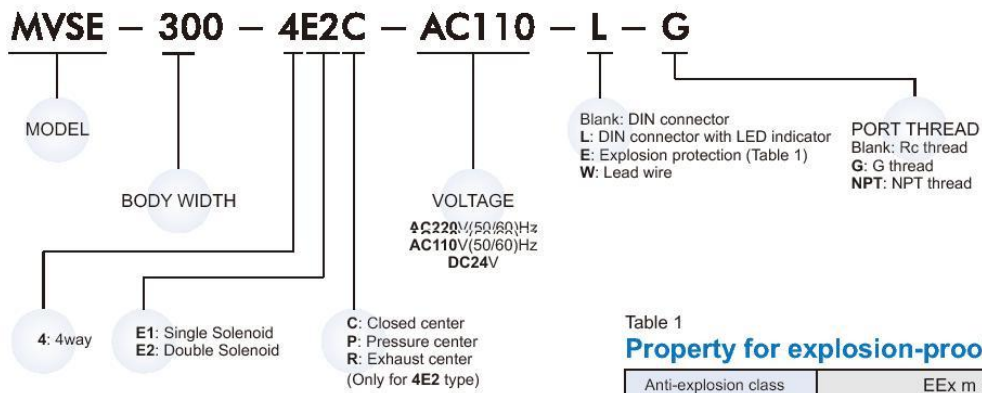


Table 1

### Property for explosion-proof type

Anti-explosion class	EEx m II T4
Voltage	AC110V, 220V,(50/60)Hz, DC24V.
Power consumption	AC=4.4VA, DC=5W
Available voltage range	±10%
Insulation class	F class

### Order example of manifold

