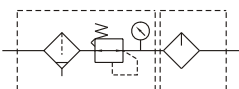


MACP400 series

AIR UNITS (F.R.L.UNIT)



Symbol



Order example

MACP400 – 10A – D – □ – □

MODEL

BORE SIZE

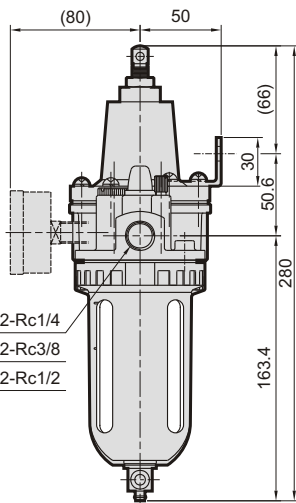
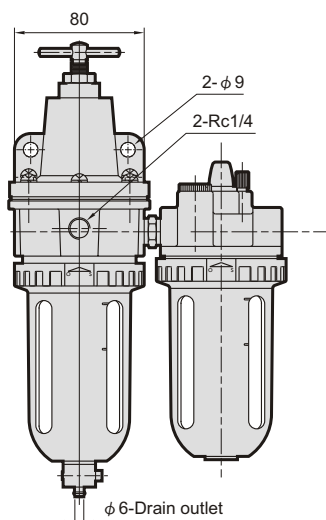
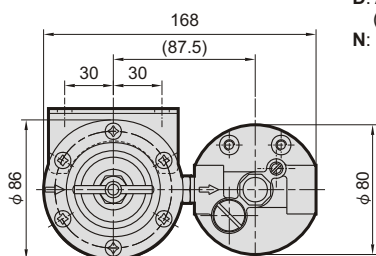
8A: 1/4
10A: 3/8
15A: 1/2

FILTER ELEMENT

Blank: 40 μ m
5u: 5 μ m

D: Auto drain valve (FMRF300)
N: Nylon bowl

PORT THREAD
Blank: Rc thread
G: G thread
NPT: NPT thread



Specification

Model	MACP400		
Components	MAFR400, MAL400		
Bore No.	8A	10A	15A
Port size	1/4	3/8	1/2
Medium	Air		
Operating pressure range (※)	0.05~1 MPa		
Proof pressure	1.5 MPa		
Regulated pressure range	0.05~0.85 MPa		
Ambient temperature	-5~+60°C (No freezing)		
Filter element	Standard: 40 μ m Option: 5 μ m		
Lubricating oil capacity	200c.c		
Min. flow for oil drip	50 ℓ /min	200 ℓ /min	400 ℓ /min
Recommended lubricating oil	Turbine oil ISO-VG32		
Attachment	Pressure gauge(PG-50), bracket		
Weight	2300 g		

※1. Standard unit contains semi-auto-drain function when operating pressure below 0.05 MPa.

※2. Choose auto-drain FMRF300, the pressure range is 0.15 ~ 1 MPa.

Flow feature

