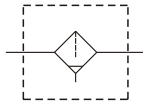


# MAF410 series Stainless steel #316 type

AIR UNITS (Filter)



## Symbol



## Specification

Model	MAF410		
Bore No.	10A	15A	20A
Port size	3/8	1/2	3/4
Medium	Air		
Operating pressure range	0.05~1 MPa		
Proof pressure	1.5 MPa		
Ambient temperature	-5~+60°C (No freezing)		
Filter element	Standard: 40 μm Option: 5,20 μm		
Weight	1811 g		

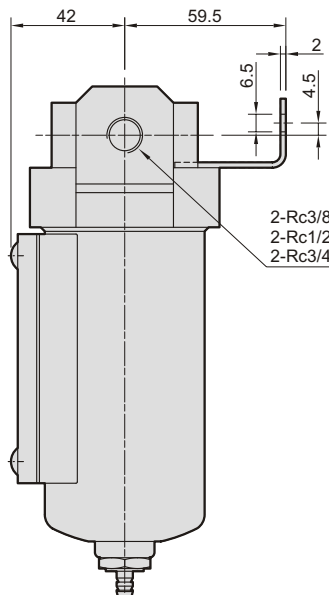
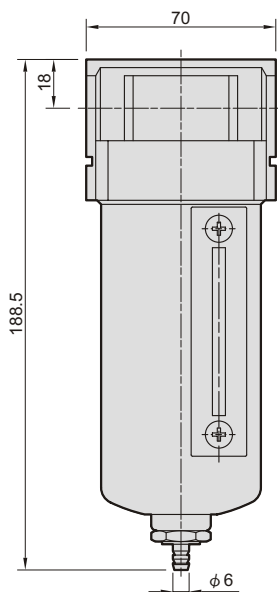
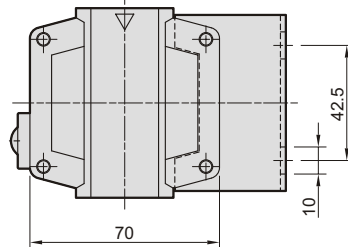
※ Standard unit contains semi-auto-drain function when operating pressure below 0.05 MPa.

## Order example

**MAF410 - 15A - D - □ - □**

MODEL      BORE SIZE      D: auto drain valve      FILTER ELEMENT      PORT THREAD

10A: 3/8      15A: 1/2      20A: 3/4      Blank: 40 μm      Blank: Rc thread  
5u: 5 μm      20u: 20 μm      G: G thread      NPT: NPT thread



## Flow feature

