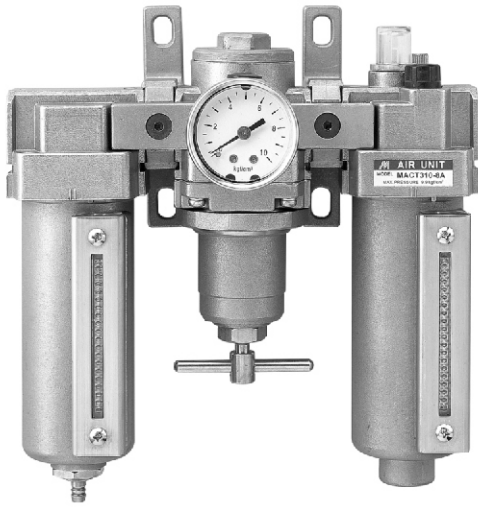


MACT310 series Stainless steel #316 type

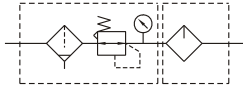
AIR UNITS (F.R.L.UNIT)



Mindman



Symbol



Order example

MACT310 - 10A - D - □ - □

MODEL

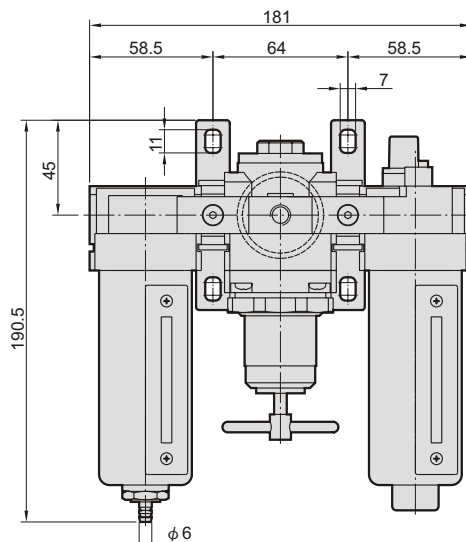
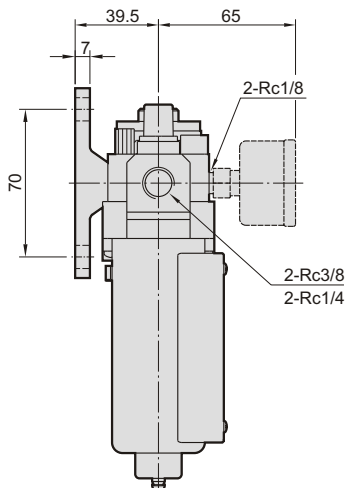
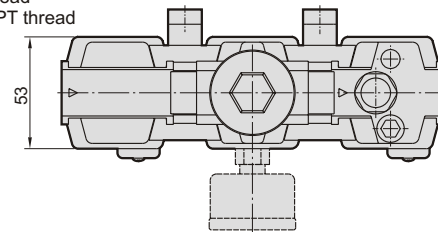
BORE SIZE
8A : 1/4
10A : 3/8

D: auto drain valve

FILTER ELEMENT
Blank: 40 μm
5u: 5 μm
20u: 20 μm

PORT THREAD
Blank: Rc thread
G: G thread
NPT: NPT thread

※ Standard unit contains semi-auto-drain function when operating pressure below 0.05 MPa.



Specification

Model	MACT310	
Components	MAF310, MAR310, MAL310	
Bore No.	8A	10A
Port size	1/4	3/8
Medium	Air	
Operating pressure range	0.05~1 MPa	
Proof pressure	1.5 MPa	
Effective orifice	25 mm ²	34 mm ²
Regulated pressure range	0.05~0.85 MPa	
Ambient temperature	-5~+60°C (No freezing)	
Filter element	Standard: 40 μm Option: 5,20 μm	
Lubricating oil capacity	140 c.c	
Min. flow for oil drip	30 ℓ /min	40 ℓ /min
Recommended lubricating oil	Turbine oil ISO-VG32	
Attachment	Pressure gauge, bracket	
Weight	3450 g	



Mindman