

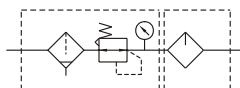
MACP403 series

AIR UNITS (F.R.L.UNIT)



Option: MP41

Symbol



Specification

Model	MACP403		
Components	MAFR403, MAL403		
Bore No.	8A	10A	15A
Port size	1/4	3/8	1/2
Medium	Air		
Operating pressure range (※)	0.05~1 MPa		
Proof pressure	1.5 MPa		
Regulated pressure range	0.1~0.85 MPa		
Ambient temperature	-5~+60°C (no freezing)		
Filter element	Standard: 40 μm Option: 5 μm		
Lubricating oil capacity	140 c.c		
Min. Flow for oil drip	30 ℓ/min	65 ℓ/min	80 ℓ/min
Recommended lubricating oil	Turbine oil ISO-VG32		
Attachment	Pressure gauge(PG-20), L-type bracket		
Weight	1100 g		

※1. Standard unit contains semi-auto-drain function when operating pressure below 0.05 MPa.

※2. Choose auto-drain FMRF300, the pressure range is 0.15 ~ 1 MPa.

Order example

MACP403 - 8A - □ - E1 - □ - T8 - □

MODEL

BORE SIZE

8A : 1/4
10A : 3/8
15A : 1/2

FILTER ELEMENT
Blank: 40 μm
5u: 5 μm

Module mounting bracket

T8: 1/4
T10: 3/8
T15: 1/2

PORT THREAD

Blank: Rc thread
G: G thread
NPT: NPT thread

Blank: Standard type

C: External pressure gauge (PG-40)

D: Auto drain valve (FMRF300)

P: Pressure switch (MPS series)

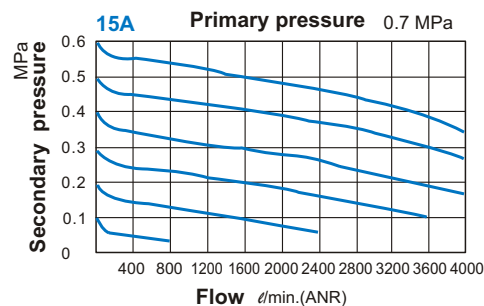
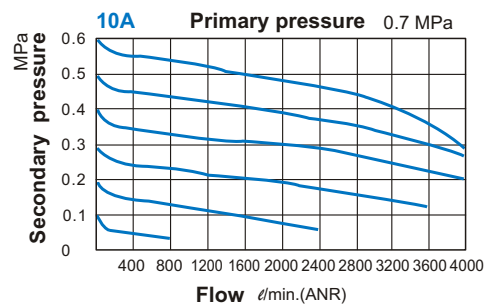
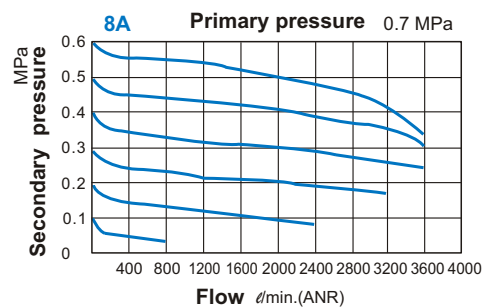
N: Nylon bowl

PRESSURE SWITCH

E1: MP41P-02
E2: MP41P-02-QD
E3: MP41P-02-J
E4: MP41P-02-QD-J
E5: MP41P-04
E6: MP41P-04-QD
E7: MP41P-04-J
E8: MP41P-04-QD-J

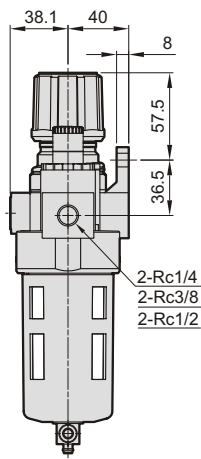
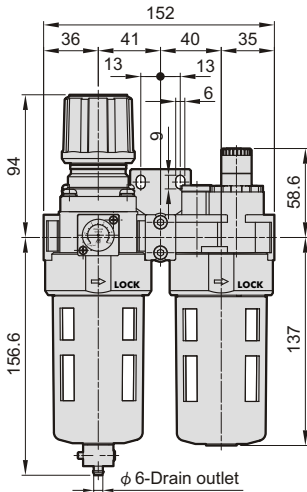
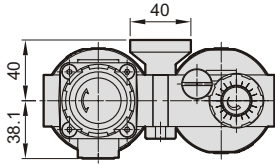
※ Refer to page E-15 for the option of digital pressure switch MP41.

Flow feature

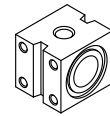
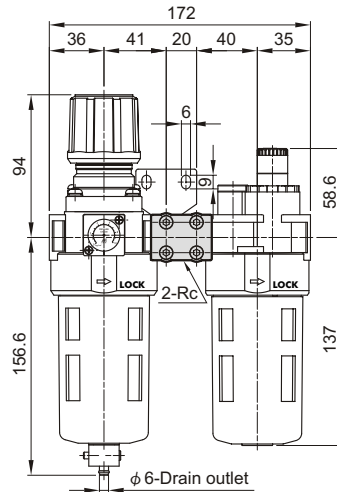


MACP403 Dimensions

AIR UNITS (F.R.L.UNIT)

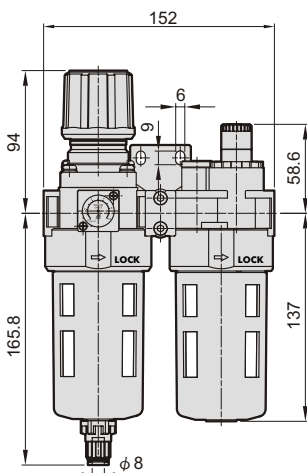


MACP403-T*



	Rc
T8	Rc1/4
T10	Rc3/8
T15	Rc1/2

MACP403-D



MACP403-P

MPS Series
pneumatic pressure switch

