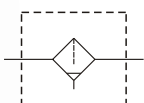


MAF300 series

AIR UNITS (Filter)



Symbol

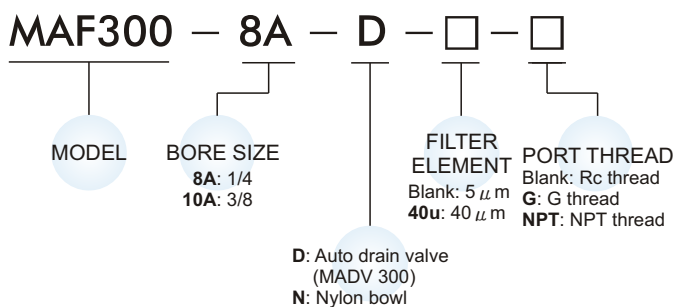


Specification

Model	MAF300	
Bore No.	8A	10A
Port size	1/4	3/8
Medium	Air	
Operating pressure range	0.05~1 MPa	
Proof pressure	1.5 MPa	
Ambient temperature	-5~+60℃ (No freezing)	
Filter element	Standard: 5 μm Option: 40 μm	
Weight	300g	

※ Standard unit contains semi-auto-drain function when operating pressure below 0.05 MPa.

Order example



Flow feature

