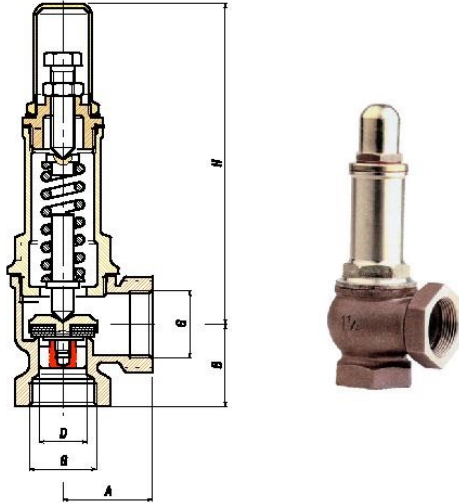


LV 1018

Brass Bronze Spring Safety Relief Valve

Screwed BSPP Female, Metal Seat, Cap Top, 1-5 Bar and 5-12 Bar Springs, Temperature -10°C to 180°C



Dimensions				
G	H	B	A	D
1/2"	128	28	30	15
3/4"	160	32	36	19
1"	175	38	47	24.5
1 1/4"	196	44	57	31.5
1 1/2"	225	47	62	38
2"	245	54	72	48
2 1/2"	285	72	80	64
3"	300	74	92	75

Material List	
Part	Material
Body	Bronze
Seat	Brass
Spring	Stainless Steel
Internals	Brass
Bonnet	Brass
Adjusting Screw	Brass
Spring Follower	Brass
Seat Holder	Brass
Cap	Brass
Lock Nut	Brass

Installation & Maintenance

The relief valve should be mounted with the body in the vertical position, this is to ensure that the valve reseats correctly.

Ensure that the pipe work is clear of system debris.

Periodically the valve lid and seat should be examined, if the contact faces are marked they should be refaced & lapped in.

If the soft seat is damaged it should be replaced. The spring should be examined for any deterioration, such as cracking, thinning of the coils or reduction in length.

The spring should be replaced if any defect is found.

All parts should move freely in their respective guides.

Valves should be re calibrated annually.

ONLY trained personal should set/calibrate the valve.

Please contact the sales office for re calibration.

Recommended for Air or Liquid Application