

Brass Ball Valve - Rotating Flanges

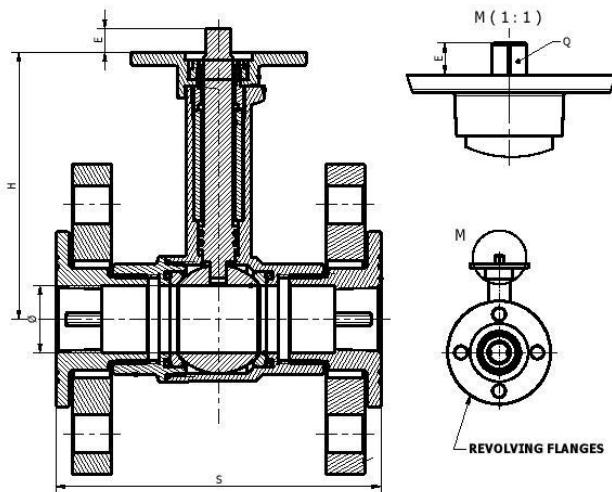
ISO 5211 Direct Mount, Nickel Plated Body, Full Bore, Steel Plated Rotating Flanges, PN10/16, Lever Operated

Pressure/Temperature Ratings

Max Pressure	PN16
Temperature Range	-10°C to 100°C

Dimensions

DN	Ø	S	H	E	Q	ISO	Nm	Kg
1/2"	15	95	89	8	11	F03	4	1.82
3/4"	20	110	92	8	11	F03	4	2.57
1"	25	120	98	8	11	F03	5	3
1 1/4"	32	130	108	10	11	F05	5	4.85
1 1/2"	39	146	114	10	11	F05	6	5.87
2"	48	167	131	10	11	F05	7	8.17
2 1/2"	64	190	92	14	11	F05	15	10.45
3"	78	214	103	14	11	F05	18	13.4
4"	100	254	127	17	17	F07	18	19



Material List

Body	Brass, Nickel Plated
Bal	Brass, Chrome Plated
Seat O-ring*	NBR
Mounting Plate	Brass, Nickel Plated
Packing Nut	Brass
Gland Nut	Brass
Thrust Washer	PTFE
Stem Washer	PTFE
Stem	Brass
Stem O-ring	NBR
Seat	PTFE
Body Connector	Brass, Nickel Plated
Spacer**	Brass
Flanges	Steel

*Seat O-ring absent on 1/2"

**Spacer absent on 2 1/2", 3" & 4"