

Brass Ball Valve with Extended Neck

For use with Thermal Insulation, Screwed BSPP Female/Female, Full Bore, Body & Neck Cast Brass, Lever Operated

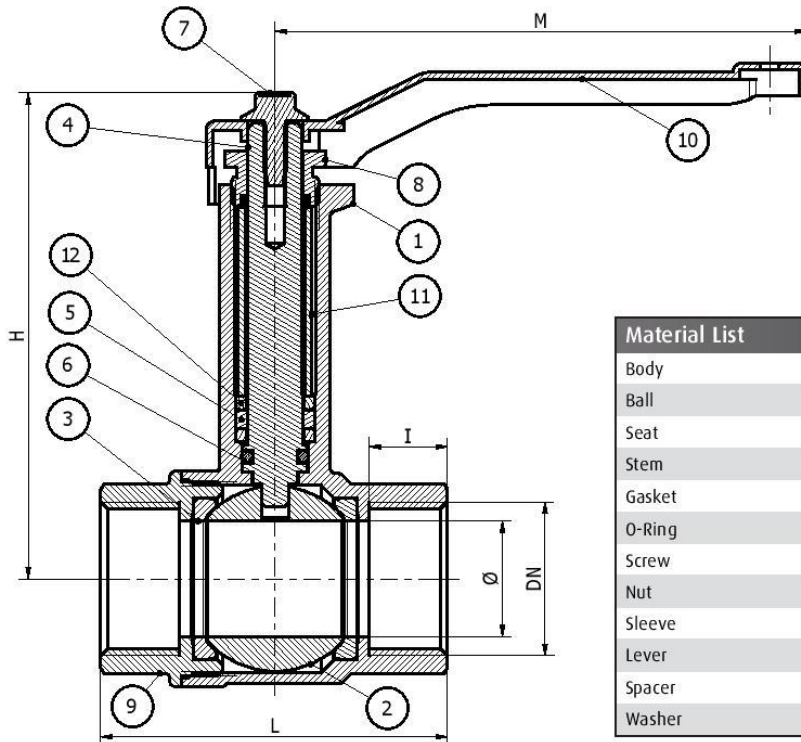
Note: Neck is non-rotating when handle turned.

Pressure/Temperature Ratings

Pressure	PN40
Temperature Range	-10°C to 100°C

Dimensions

DN	L	Ø	I	H	M	Kg
1/2"	56	15	14	104	92	0.36
3/4"	68	20	16	105.5	92	0.56
1"	78	25	17	112	115	0.98
1 1/4"	90	32	18	121	150	1.44
1 1/2"	100	39	19	129	150	1.81
2"	115	48	21	146	150	2.89



Material List

Body	EN12420-CW617N
Ball	EN12164-CW614N
Seat	PTFE
Stem	EN12164-CW614N
Gasket	PTFE
O-Ring	NBR
Screw	UNI 7356-CB4FF
Nut	EN12164-CW614N
Sleeve	EN12420-CW617N
Lever	EN1011-DD13
Spacer	EN12164-CW614N
Washer	EN12164-CW614N