

MAFR403 series

AIR UNITS (F.R. UNIT)

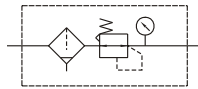


Mindman



Option: MP41

Symbol



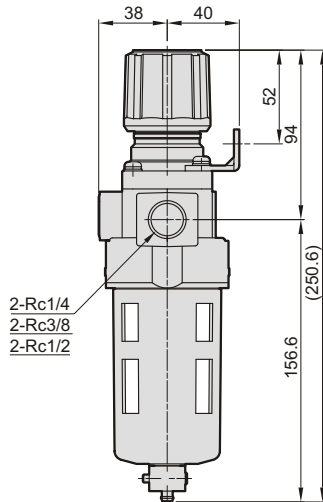
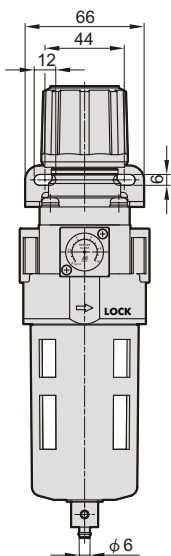
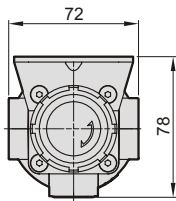
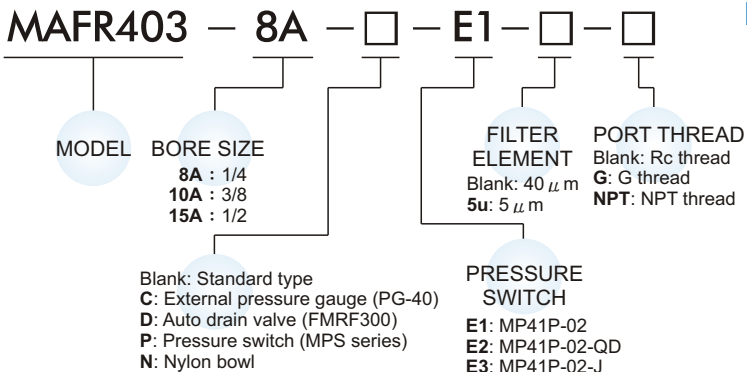
Specification

Model	MAFR403		
Bore No.	8A	10A	15A
Port size	1/4	3/8	1/2
Medium	Air		
Operating pressure range (※)	0.05~1 MPa		
Proof pressure	1.5 MPa		
Regulated pressure range	0.1~0.85 MPa		
Ambient temperature	-5~+60°C (no freezing)		
Filter element	Standard: 40 μm Option: 5 μm		
Attachment	Pressure gauge (PG-20), L-type bracket		
Weight	620 g		

※1. Standard unit contains semi-auto-drain function when operating pressure below 0.05 MPa.

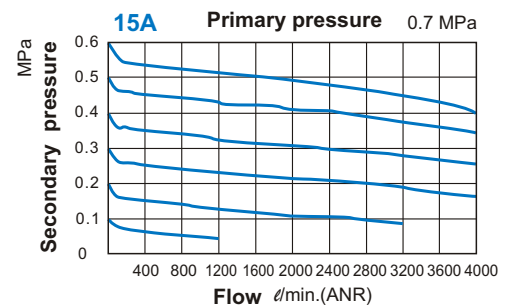
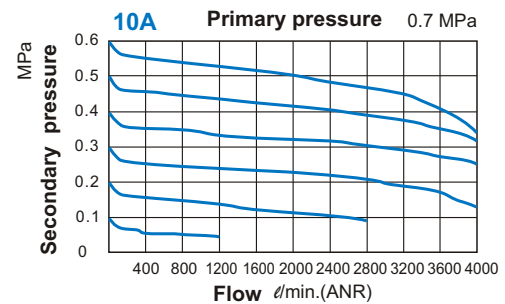
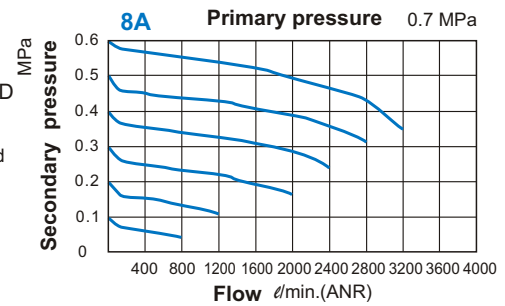
※2. Choose auto-drain FMRF300, the pressure range is 0.15 ~ 1 MPa.

Order example



※ Refer to page E-15 for the option of digital pressure switch MP41.

Flow feature



Mindman