

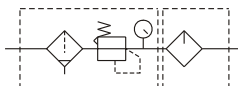
MACT403 series

AIR UNITS (F.R.L.UNIT)



Option: MP41

Symbol



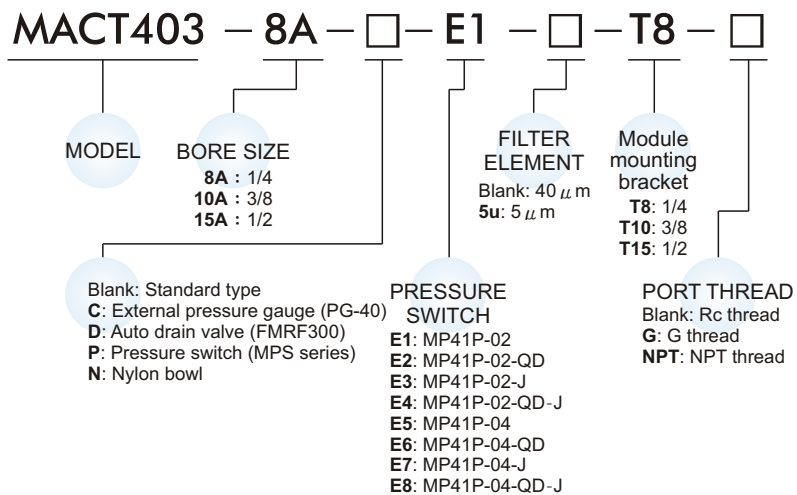
Specification

Model	MACT403		
Components	MAF403, MAR403, MAL403		
Bore No.	8A	10A	15A
Port size	1/4	3/8	1/2
Medium	Air		
Operating pressure range	0.05~1 MPa		
Proof pressure	1.5 MPa		
Regulated pressure range	0.1~0.85 MPa		
Ambient temperature	-5~+60°C (no freezing)		
Filter element	Standard: 40 μm Option: 5 μm		
Lubricating oil capacity	140 c.c		
Min. Flow for oil drip	30 ℓ/min	65 ℓ/min	80 ℓ/min
Recommended lubricating oil	Turbine oil ISO-VG32		
Attachment	Pressure gauge (PG-20), L-type bracket		
Weight	1345 g		

※ 1. Standard unit contains semi-auto-drain function when operating pressure below 0.05 MPa.

※ 2. Choose auto-drain FMRF300, the pressure range is 0.15 ~ 1 MPa.

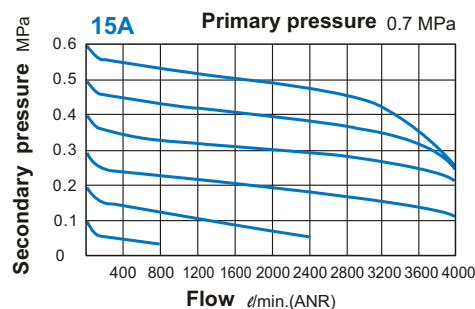
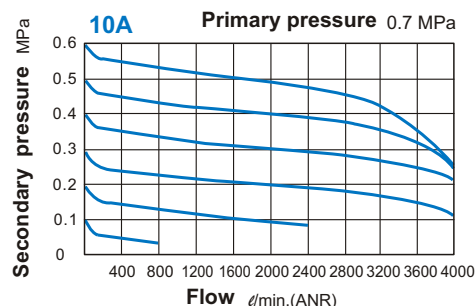
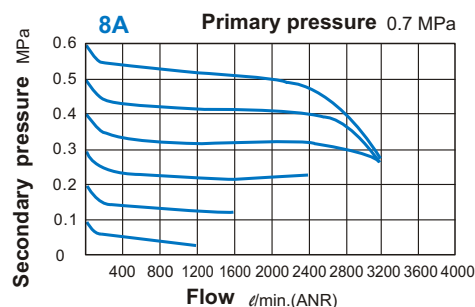
Order example



Blank: Standard type
C: External pressure gauge (PG-40)
D: Auto drain valve (FMRF300)
P: Pressure switch (MPS series)
N: Nylon bowl

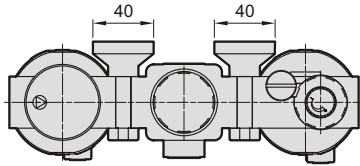
※ Refer to page E-15 for the option of digital pressure switch MP41.

Flow feature

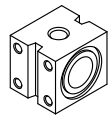
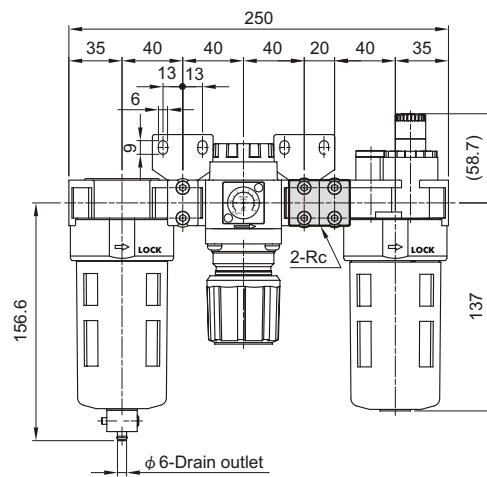
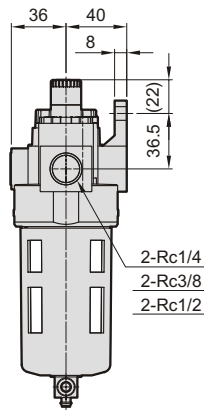
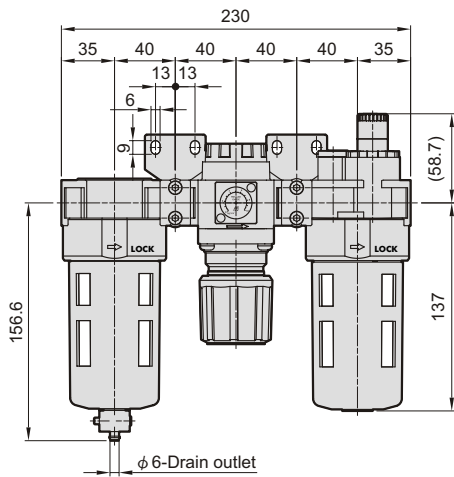


MACT403 Dimensions

AIR UNITS (F.R.L.UNIT)



MACT403-T*



	Rc
T8	Rc1/4
T10	Rc3/8
T15	Rc1/2

MACT403-D

MACT403-P

MPS Series
pneumatic pressure switch

