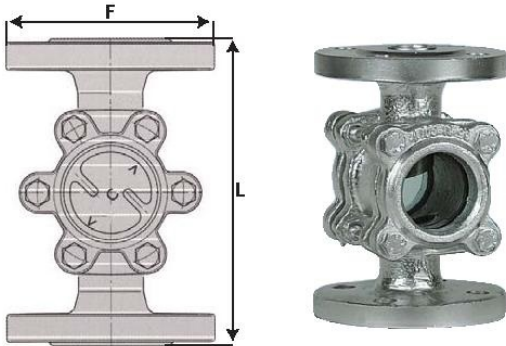


LV 1312

Cast Steel Sight Glass

Cast Steel Sight Glass, Fixed Vanes, PN16 Flanged.
 Rated PN16, Temperature -10°C to 160°C.



Material List

Part	Material
Body	Cast Steel
Window	Double Tempered Glass

Dimensions

DN	C	L	F
½"	45	135	95
¾"	45	150	105
1"	45	160	115
1¼"	50	180	140
1½"	50	200	150
2"	60	230	165
2½"	85	290	185
3"	85	310	200
4"	105	350	220
6"	160	480	285
8"	170	600	340
10"	155	730	405