

Stainless Steel Proportional Lift Relief Valves



Dome Top - Screwed or Flanged Connections

Side Outlet discharge with leak proof Dome Cover over the adjusting screw. These valves are commonly used for preventing a safe pressure being exceeded in pressurised systems.

The lift is proportional to the system overpressure.

Approved to BS EN ISO 9001: 2000. Certificate No. 0910407.

Full Cat IV PED approval.

Only 4 springs are needed to cover the full pressure range.

Clear operating and maintenance instructions are supplied with each despatch.

Screwed/Flanged or a combination of both are available as standard.

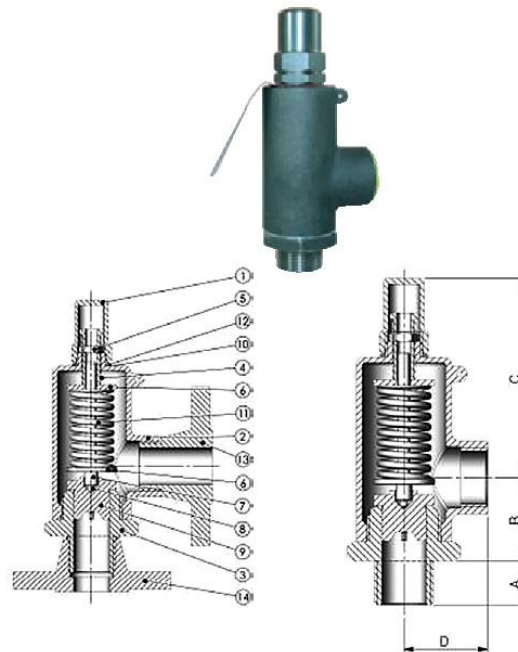
Pipe Connections

- Male Inlet x Female Outlet.
- Standard valves are threaded BS 21:1985 Rp Parallel.
- Alternative thread standards, i.e. taper or NPT are available upon request.
- Flanged connections also available. Most flange standards can be accommodated, e.g. ANSI, BS4504 - please specify requirements.

Material List		
1	Dome Top	St. Steel BS970 Part 1 316 S11
2	Body	St. Steel ASTM A351/A351M CF8M
3	Base	St. Steel ASTM A351/A351M CF8M
3T	TFM Seat	Dyneon™ TFM™ PTFE 1600
3V	Viton Seat	Viton 85 Brown
3S	Silicone Seat	Silicone 50 Blue
4	Adjusting Screw	St. Steel BS970 Part 1 316 S11
5	Lock Nut	St. Steel BS970 Part 1 316 S11
6	Spring Plate	St. Steel BS970 Part 1 316 S11
7	Spindle	St. Steel BS970 Part 1 316 S11
8	Ball	St. Steel AISA 420
9	Valve	St. Steel BS1504 316 C16
10	Label	Metallised Polymer
11	Spring	St. Steel BS2056 302 S26
12	Washer	Fibre
13/14	Flanges (optional)	St. Steel ASTM A182 Gr 316/316L

Dimensions						
Size	Inches	A	B	C	D	Kg
DN15	1/2"	17	35	87	33	0.60
DN20	3/4"	14	36	97	40	0.80
DN25	1"	25	47	113	48	1.50
DN40	1 1/2"	23	53	134	56	2.60
DN50	2"	27	61	126	62	3.50

Flange dimensions vary according to specification (available upon request).



Seat Types - Spring/Pressure Ranges							
Seat Housing	Valve	Pressure Range	Temperature Range	Spring Ranges (bar & p.s.i.)			
				A (Low)	B (Medium)	C (High)	D (Special*)
316 St. Steel	316 St. Steel	to 21.0 bar (300 p.s.i.)	-60° to +350°C	0.5 - 3.5 (7 - 50)	3.5 - 10.4 (50 - 150)	10.4 - 20.7 (150 - 300)	N/A
316 St. Steel TFM insert	316 St. Steel	to 21.0 bar (300 p.s.i.)	-40° to +225°C	0.5 - 2.0 (7 - 30)	2.0 - 8.3 (30 - 120)	8.3 - 17.9 (120 - 260)	17.9 - 20.7 (260 - 300)
316 St. Steel Viton seal	316 St. Steel	to 21.0 bar (300 p.s.i.)	-15° to +200°C	0.5 - 2.0 (7 - 30)	2.0 - 8.3 (30 - 120)	8.3 - 16.5 (120 - 240)	16.5 - 20.7 (240 - 300)
316 St. Steel Silicon seal	316 St. Steel	to 21.0 bar (300 p.s.i.)	-15° to +180°C	0.5 - 2.0 (7 - 30)	2.0 - 8.3 (30 - 120)	8.3 - 16.5 (120 - 240)	16.5 - 20.7 (240 - 300)

*50mm only available for special orders. 32, 65 & 80mm not available.