

LV 2424

Brass Ball Valve - Press Fit x BSP Female

Pressfit x BSP Ends, Nickel Plated Brass Body, Lever Operated

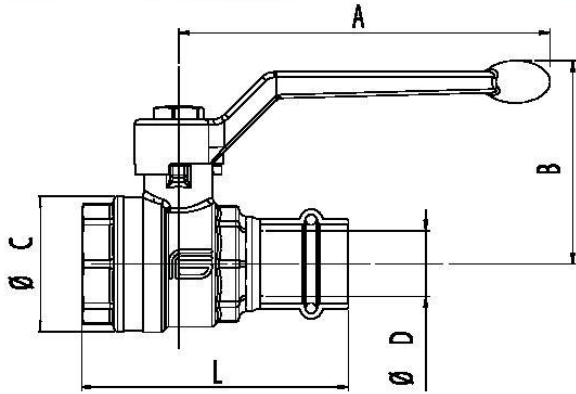


Pressure/Temperature Ratings

Max Pressure	PN40
Temperature Range	-15°C to 120°C

Material List

Body	Brass, Nickel Plated
Ball	Brass, Chrome Plated
Seats	PTFE
Stem	Brass
Handle	Aluminium
Stem O-ring	H NBR
End O-ring	EPDM



Dimensions

DN	Ø D	A	B	Ø C	L	Kg
15	15	85	41	31	70	0.21
22	20	105	57	38.5	77	0.34
28	25	105	61	47	86	0.53