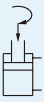

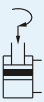

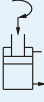

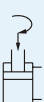
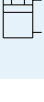




Double acting

MTAS	Single side clamping arm	
MTAD	Double sides clamping arm	
MTAS . . M	Single side clamping arm (Piston with magnet)	
MTAD . . M	Double sides clamping arm (Piston with magnet)	
MTAS . . FC	Single side clamping arm (Manifold With flow control)	
MTAD . . FC	Double sides clamping arm (Manifold With flow control)	
MTAS . . FA	Single side clamping arm (Flange type)	
MTAD . . FA	Double sides clamping arm (Flange type)	

Features

- These swing clamps are used when it is required to keep the fixture workpiece area free of straps and clamping components for unrestricted workpiece loading and un-loading.
- This pneumatic clamping element is a pull type cylinder, There are five standard sizes, and for each size two versions of standard clamping arms, mounting of these clamping arms at any angle within 360.

Note

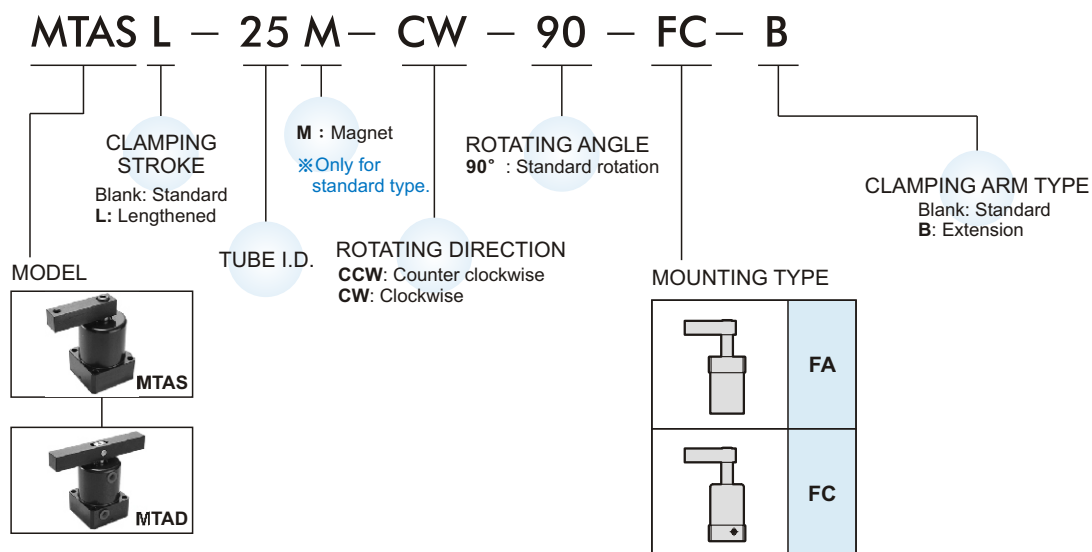
- Please don't exceed 1.5 times of the original length, if it is necessary to increase the length of the clamping arm.
- Suggested to install a flow control valve protect cylinder barrel and internal components against fretting wear.

Specification

Model	MTAS	MTAD
Acting type	Double acting	
Tube I.D. (mm)	25, 32, 40, 50, 63	32, 40, 50, 63
Power fluid	Filtered air with or without lubrication	
The range of pressure	0.1~1.03 MPa	
Max. pressure	1.47 MPa	
Material of cylinder barrel	Anodised aluminium alloy	
Standard angle of rotation	90° ±2° (Angle of 0° , 45° and 60° are optional)	
Rotating direction	Clockwise or counter clockwise	
Sensor switch (※)	LN40R	

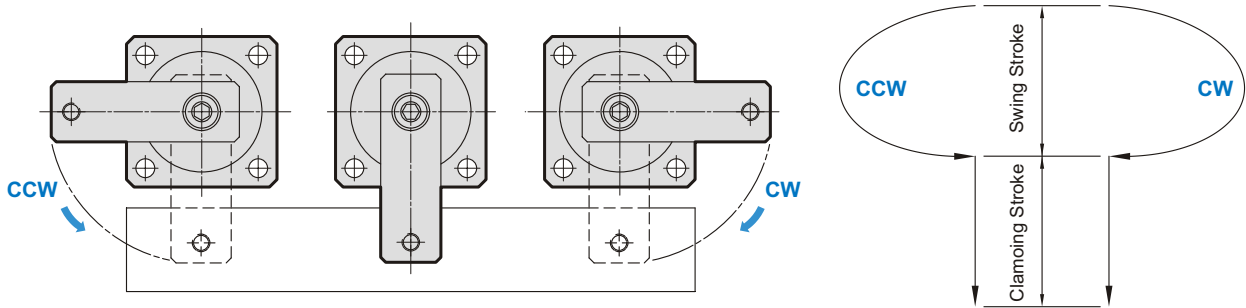
※ LN40R specification, please refer to page V-23.

Order example

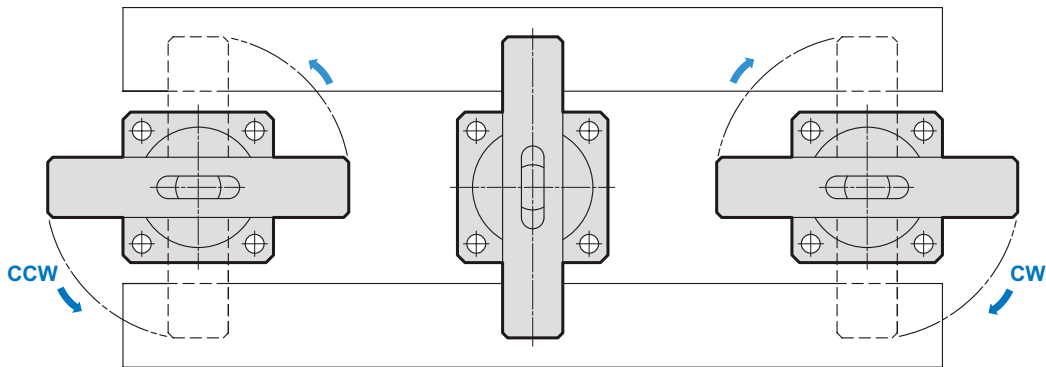


- ※1 : Only for clamping stroke (Standard-without magnet type).
- ※2 : FC type required with the manifolds.

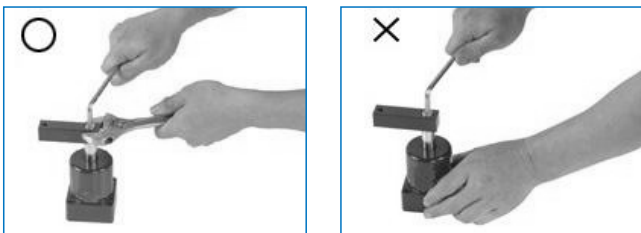
Single side swing clamp



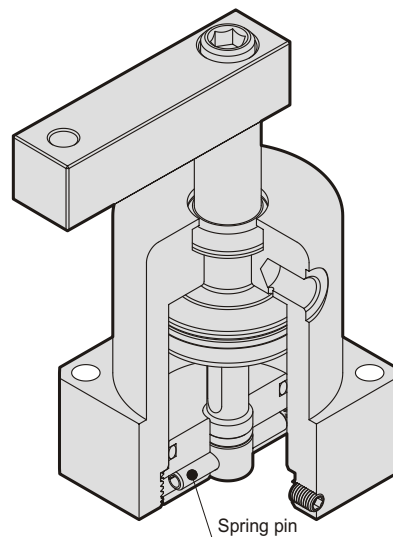
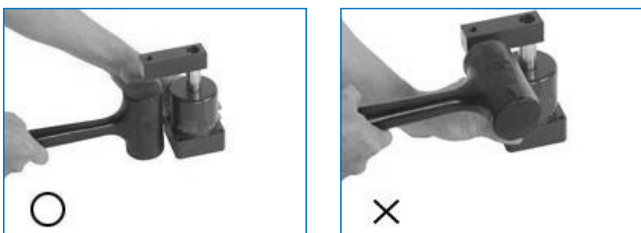
Double side swing clamp



Clamping arm mounting methods



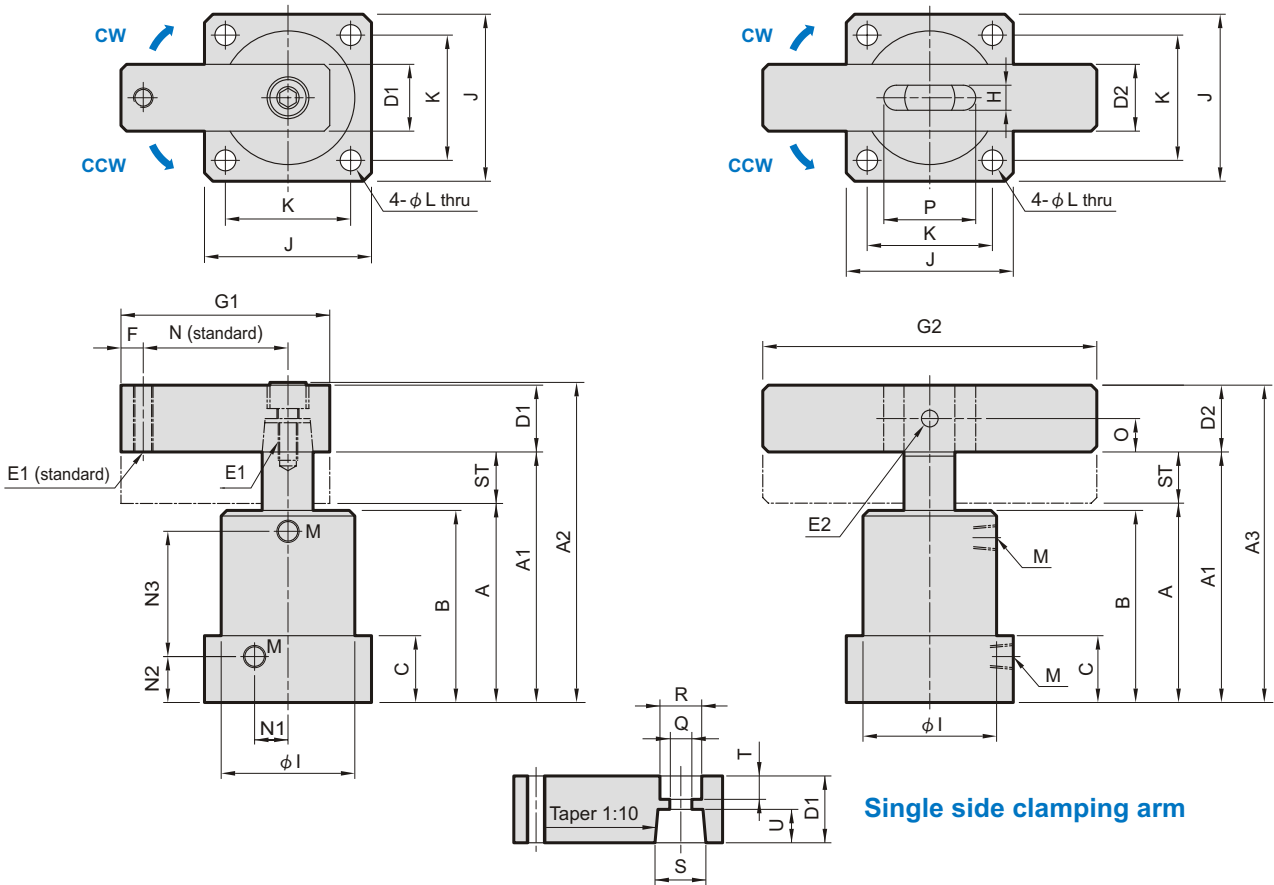
Clamping arm removing methods



Note: If the clamping arm is wrong mounting and removing, the spring pin is broken easily. Then the rotation angle is deviation or the action is not smooth when the cylinder works.

MTAS / MTASL

MTAD / MTADL



※ Clamping stroke lengthened type.

Model	Tube I.D. (mm)	Piston rod (mm)	Swing stroke (mm)	Clamping stroke (mm)		Pressure area push/ pull (mm ²)	Clamping force N (0.6MPa)	Clamping arm type			
				Standard	※			G1		G2	
								Standard	Extension	Standard	Extension
MTAS-25	$\phi 25$	$\phi 14$	9	13	—	491 / 337	200	50	70	—	—
MTAS-32	MTAD-32	$\phi 32$	11	15	30	804 / 603	360	70	100	140	200
MTAS-40	MTAD-40	$\phi 40$	11	15	30	1257 / 1056	630	75	100	140	200
MTAS-50	MTAD-50	$\phi 50$	13	17	34	1963 / 1649	980	85	130	160	230
MTAS-63	MTAD-63	$\phi 63$	13	17	34	3117 / 2803	1680	95	130	160	230

Code Model	Standard type						Clamping stroke lengthened type ※						C	D1	D2	E1	E2	F
	A	A1	A2	A3	B	ST	A	A1	A2	A3	B	ST						
MTAS-25	67	89	(105.9)	-	65	22	-	-	-	-	-	-	23	$\square 15.9$	-	M6×1.0	-	6
MTAS-32	82	108	(128)	127	78	26	97	138	(158)	157	93	41	28	$\square 19$	$\square 19$	M8×1.25	$\phi 8$	8
MTAS-40	82	108	(128)	127	78	26	97	138	(158)	157	93	41	28	$\square 19$	$\square 19$	M8×1.25	$\phi 8$	8
MTAS-50	94	124	(150.4)	146.2	90	30	111	158	(184.4)	180.2	107	47	31	$\square 25.4$	$\square 22.2$	M10×1.5	$\phi 8$	10
MTAS-63	94	124	(150.4)	146.2	90	30	111	158	(184.4)	180.2	107	47	31	$\square 25.4$	$\square 22.2$	M10×1.5	$\phi 8$	10

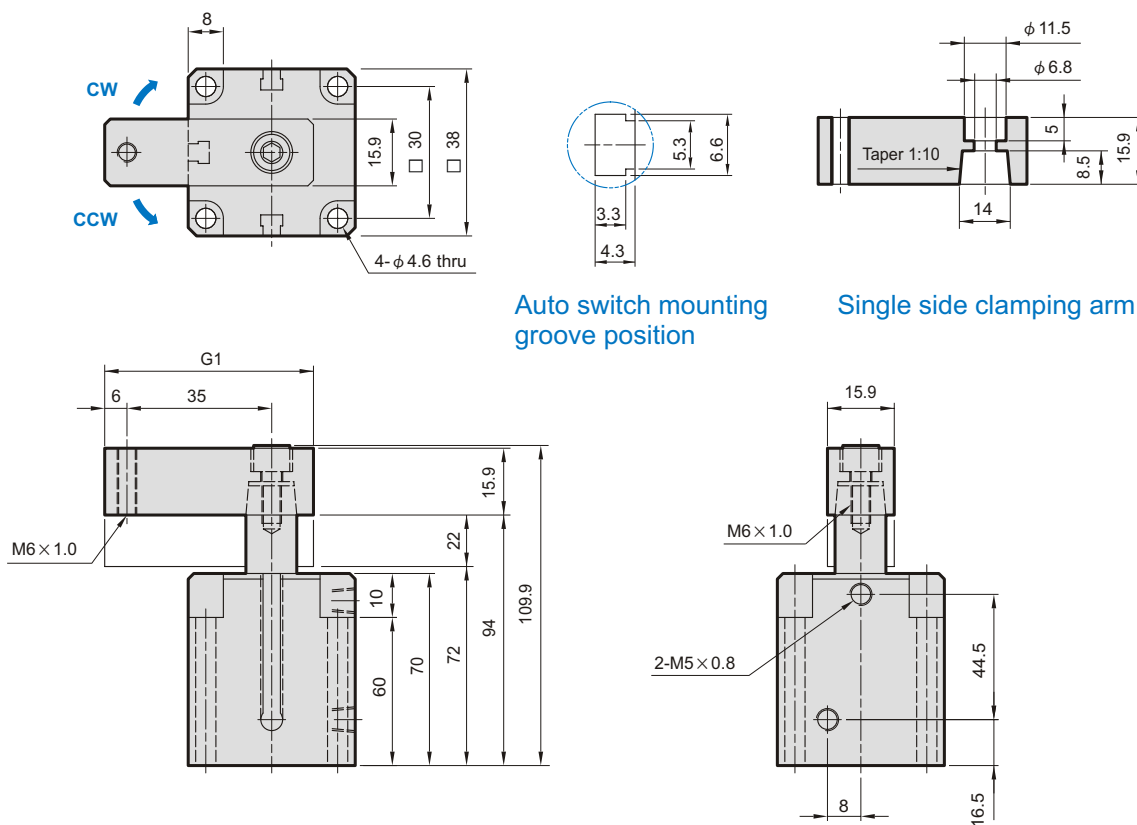
Code Model	H	I	J	K	L	M	N	N1	N2	N3		O	P	Q	R	S	T	U
										Standard	※							
MTAS-25	-	$\phi 35$	38	30	$\phi 4.6$	M5×0.8	35	8	16.5	39.5	-	-	-	$\phi 6.8$	$\phi 11$	$\phi 14$	5	8.5
MTAS-32	9	$\phi 46$	50	40	$\phi 5.6$	Rc1/8	50	11.5	19	45	60	9.5	25	$\phi 9$	$\phi 14$	$\phi 16$	7	9.5
MTAS-40	9	$\phi 55$	60	48	$\phi 6.8$	Rc1/8	55	14	19	45	60	9.5	25	$\phi 9$	$\phi 14$	$\phi 16$	7	9.5
MTAS-50	10	$\phi 65$	70	57	$\phi 6.8$	Rc1/8	60	17	21	54	71	11.1	29	$\phi 11$	$\phi 17$	$\phi 20$	9	12.5
MTAS-63	10	$\phi 78$	83	67	$\phi 9$	Rc1/8	70	20	21	54	71	11.1	29	$\phi 11$	$\phi 17$	$\phi 20$	9	12.5

MTAS-25M With magnet type $\phi 25$

PNEUMATIC - Swing Clamp Cylinders



MTAS



Auto switch mounting groove position

Single side clamping arm

Model	Tube I.D. (mm)	Piston rod (mm)	Swing stroke (mm)	Clamping stroke (mm)	Pressure area push/ pull (mm ²)	Clamping force N (0.6MPa)	Clamping arm type G1	
							Standard	Extension
MTAS-25M	$\phi 25$	$\phi 14$	9	13	491 / 337	200	50	70

Cylinder weight

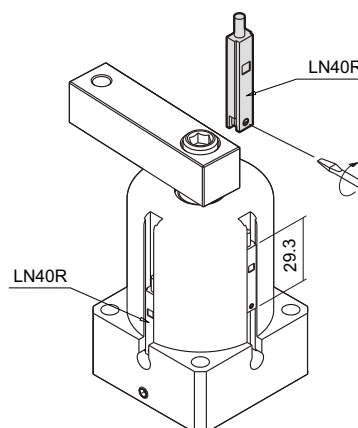
Standard type

Model	Weight (kg)
MTAS-25	0.3
MTAS-32	0.7
MTAD-32	0.9
MTAS-40	0.9
MTAD-40	1.1
MTAS-50	1.6
MTAD-50	1.8
MTAS-63	2.1
MTAD-63	2.3

With magnet type

Model	Weight (kg)
MTAS-25M	0.4
MTAS-32M	0.73
MTAD-32M	0.93
MTAS-40M	0.95
MTAD-40M	1.15
MTAS-50M	1.65
MTAD-50M	1.85
MTAS-63M	2.22
MTAD-63M	2.42

Installation of sensor switch

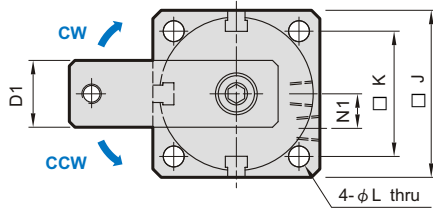


MTA*-*M With magnet type $\phi 32 \sim \phi 63$

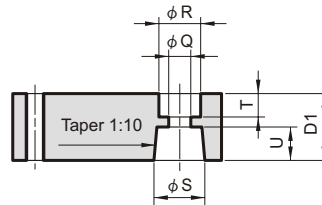
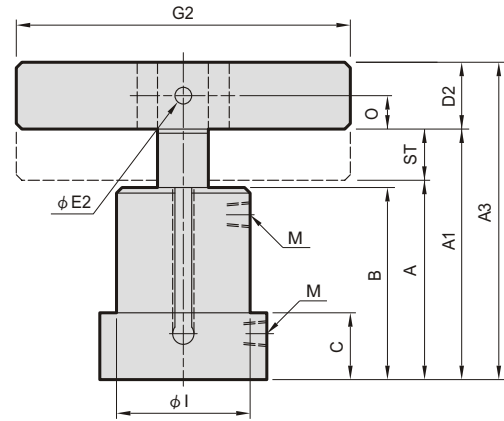
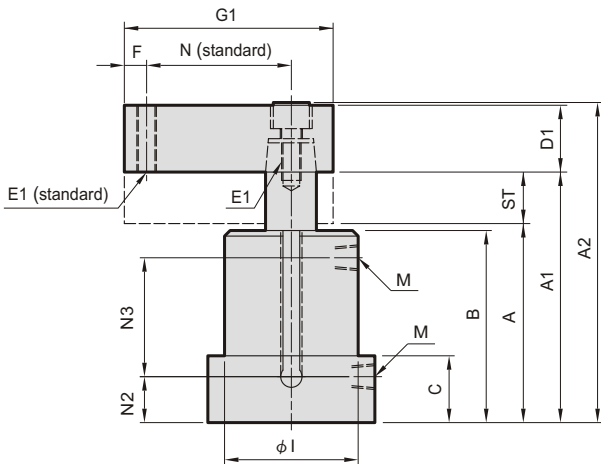
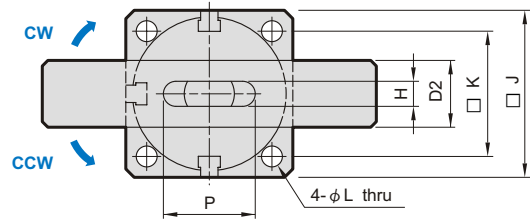
PNEUMATIC - Swing Clamp Cylinders



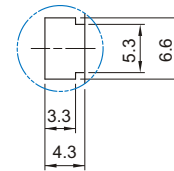
MTAS



MTAD



Single side clamping arm



Auto switch mounting groove position

Model	Tube I.D. (mm)	Piston rod (mm)	Swing stroke (mm)	Clamping stroke (mm)	Pressure area push/ pull (mm ²)	Clamping force N (0.6MPa)	Clamping arm type				
							G1		G2		
							Standard	Extension	Standard	Extension	
MTAS-32M	MTAD-32M	$\phi 32$	$\phi 16$	11	15	804 / 603	360	70	100	140	200
MTAS-40M	MTAD-40M	$\phi 40$	$\phi 16$	11	15	1257 / 1056	630	75	100	140	200
MTAS-50M	MTAD-50M	$\phi 50$	$\phi 20$	13	17	1963 / 1649	980	85	130	160	230
MTAS-63M	MTAD-63M	$\phi 63$	$\phi 20$	13	17	3117 / 2803	1680	95	130	160	230

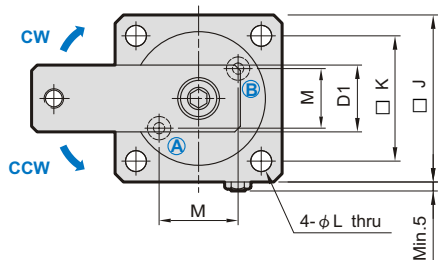
Code Model	A	A1	A2	A3	B	C	D1	D2	E1	E2	F	H	I	J	K	
MTAS-32M	MTAD-32M	87	113	(133)	132	83	28	$\square 19$	$\square 19$	M8 \times 1.25	$\phi 8$	8	9	$\phi 46$	50	40
MTAS-40M	MTAD-40M	87	113	(133)	132	83	28	$\square 19$	$\square 19$	M8 \times 1.25	$\phi 8$	8	9	$\phi 55$	60	48
MTAS-50M	MTAD-50M	99	129	(155.4)	151.2	95	31	$\square 25.4$	$\square 22.2$	M10 \times 1.5	$\phi 8$	10	10	$\phi 65$	70	57
MTAS-63M	MTAD-63M	99	129	(155.4)	151.2	95	31	$\square 25.4$	$\square 22.2$	M10 \times 1.5	$\phi 8$	10	10	$\phi 78$	83	67

Code Model	L	M	N	N1	N2	N3	O	P	Q	R	S	ST	T	U	
MTAS-32M	MTAD-32M	$\phi 5.6$	Rc1/8	50	11.5	19	50	9.5	25	$\phi 9$	$\phi 14$	$\phi 16$	26	7	9.5
MTAS-40M	MTAD-40M	$\phi 6.8$	Rc1/8	55	14	19	50	9.5	25	$\phi 9$	$\phi 14$	$\phi 16$	26	7	9.5
MTAS-50M	MTAD-50M	$\phi 6.8$	Rc1/8	60	17	21	59	11.1	29	$\phi 11$	$\phi 17$	$\phi 20$	30	9	12.5
MTAS-63M	MTAD-63M	$\phi 9$	Rc1/8	70	20	21	59	11.1	29	$\phi 11$	$\phi 17$	$\phi 20$	30	9	12.5

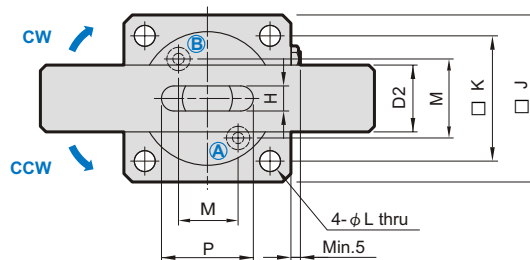


FC

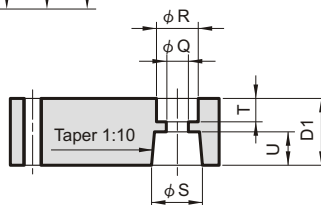
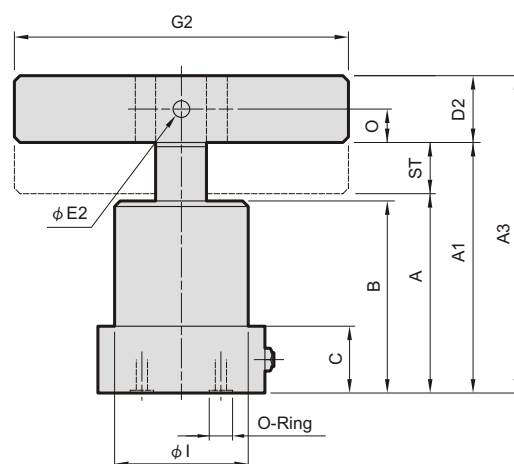
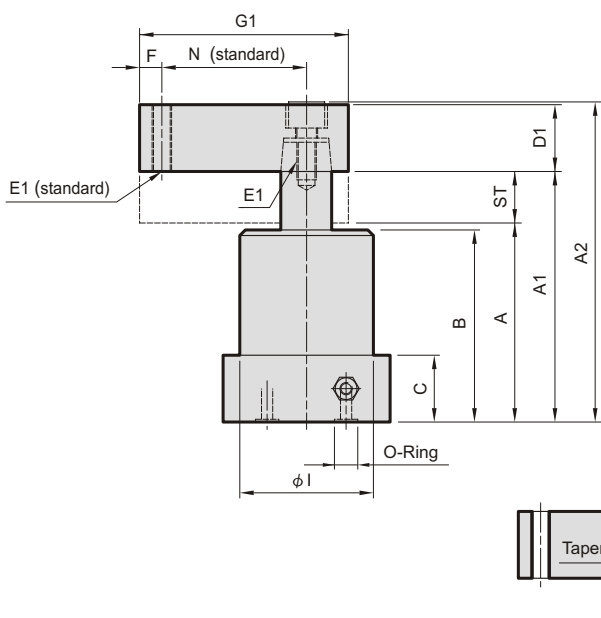
MTAS



MTAD



- Ⓐ Clamp port
- Ⓑ Release port



Single side clamping arm

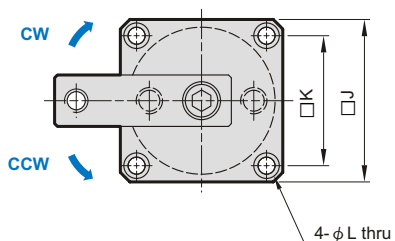
Model	Tube I.D. (mm)	Piston rod (mm)	Swing stroke (mm)	Clamping stroke (mm)	Pressure area push/ pull (mm ²)	Clamping force N (0.6MPa)	Clamping arm type				
							G1		G2		
							Standard	Extension	Standard	Extension	
MTAS-32 FC	MTAD-32 FC	$\phi 32$	$\phi 16$	11	15	804 / 603	360	70	100	140	200
MTAS-40 FC	MTAD-40 FC	$\phi 40$	$\phi 16$	11	15	1257 / 1056	630	75	100	140	200
MTAS-50 FC	MTAD-50 FC	$\phi 50$	$\phi 20$	13	17	1963 / 1649	980	85	130	160	230
MTAS-63 FC	MTAD-63 FC	$\phi 63$	$\phi 20$	13	17	3117 / 2803	1680	95	130	160	230

Code Model	A	A1	A2	A3	B	C	D1	D2	E1	E2	F	H	I	J	K	
MTAS-32 FC	MTAD-32 FC	82	108	(129.5)	127	78	22	$\square 19$	$\square 19$	M8×1.25	$\phi 8$	8	9	$\phi 46$	50	40
MTAS-40 FC	MTAD-40 FC	82	108	(129.5)	127	78	22	$\square 19$	$\square 19$	M8×1.25	$\phi 8$	8	9	$\phi 55$	60	48
MTAS-50 FC	MTAD-50 FC	94	124	(152.4)	146.2	90	25	$\square 25.4$	$\square 22.2$	M10×1.5	$\phi 8$	10	10	$\phi 65$	70	57
MTAS-63 FC	MTAD-63 FC	94	124	(152.4)	146.2	90	25	$\square 25.4$	$\square 22.2$	M10×1.5	$\phi 8$	10	10	$\phi 78$	83	67

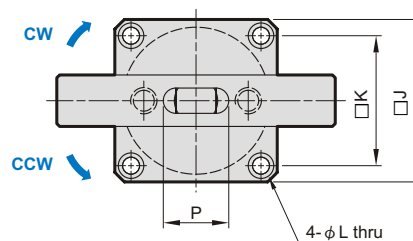
Code Model	L	M	N	O	P	Q	R	S	ST	T	U	O-ring	
MTAS-32 FC	MTAD-32 FC	$\phi 5.6$	19	50	9.5	25	$\phi 9$	$\phi 14$	$\phi 16$	26	7	9.5	P7
MTAS-40 FC	MTAD-40 FC	$\phi 6.8$	23	55	9.5	25	$\phi 9$	$\phi 14$	$\phi 16$	26	7	9.5	P7
MTAS-50 FC	MTAD-50 FC	$\phi 6.8$	28	60	11.1	29	$\phi 11$	$\phi 17$	$\phi 20$	30	9	12.5	P9
MTAS-63 FC	MTAD-63 FC	$\phi 9$	32	70	11.1	29	$\phi 11$	$\phi 17$	$\phi 20$	30	9	12.5	P9

FA

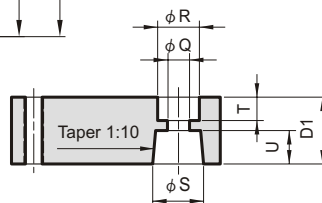
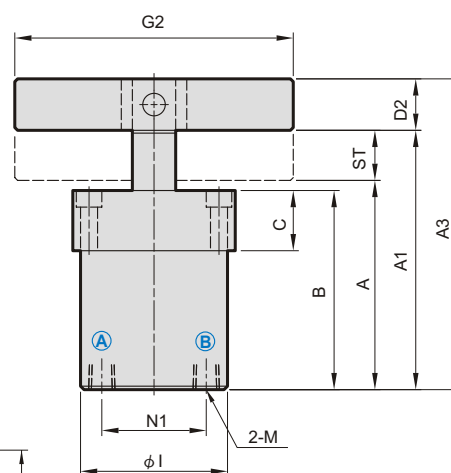
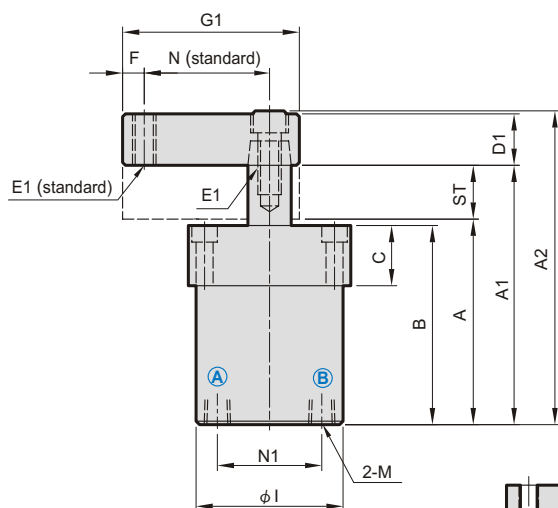
MTAS



MTAD



- (A) Clamp port
- (B) Release port



Single side clamping arm

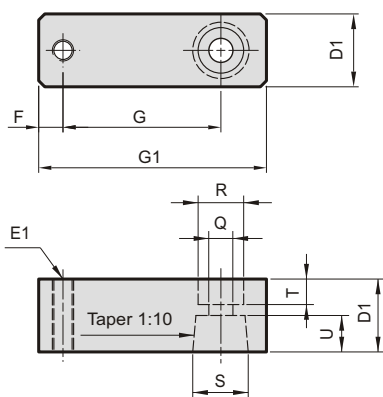
Model	Tube I.D. (mm)	Piston rod (mm)	Swing stroke (mm)	Clamping stroke (mm)	Pressure area push/ pull (mm ²)	Clamping force N (0.6MPa)	Clamping arm type				
							G1		G2		
							Standard	Extension	Standard	Extension	
MTAS-32 FA	MTAD-32 FA	$\phi 32$	$\phi 16$	11	15	804 / 603	360	70	100	140	200
MTAS-40 FA	MTAD-40 FA	$\phi 40$	$\phi 16$	11	15	1257 / 1056	630	75	100	140	200
MTAS-50 FA	MTAD-50 FA	$\phi 50$	$\phi 20$	13	17	1963 / 1649	980	85	130	160	230
MTAS-63 FA	MTAD-63 FA	$\phi 63$	$\phi 20$	13	17	3117 / 2803	1680	95	130	160	230

Code Model	A	A1	A2	A3	B	C	D1	D2	E1	E2	F	H	I	J	K	
MTAS-32 FA	MTAD-32 FA	82	108	(129.5)	127	78	22	$\square 19$	$\square 19$	M8×1.25	$\phi 8$	8	9	$\phi 46$	50	40
MTAS-40 FA	MTAD-40 FA	82	108	(129.5)	127	78	22	$\square 19$	$\square 19$	M8×1.25	$\phi 8$	8	9	$\phi 55$	60	48
MTAS-50 FA	MTAD-50 FA	94	124	(152.4)	146.2	90	25	$\square 25.4$	$\square 22.2$	M10×1.5	$\phi 8$	10	10	$\phi 65$	70	57
MTAS-63 FA	MTAD-63 FA	94	124	(152.4)	146.2	90	25	$\square 25.4$	$\square 22.2$	M10×1.5	$\phi 8$	10	10	$\phi 78$	83	67

Code Model	L	M	N	N1	O	P	Q	R	S	ST	T	U	
MTAS-32 FA	MTAD-32 FA	$\phi 5.6, \phi 9 \times 5.5dp$	Rc1/8	50	32	9.5	25	$\phi 9$	$\phi 14$	$\phi 16$	26	7	9.5
MTAS-40 FA	MTAD-40 FA	$\phi 6.8, \phi 10.5 \times 6.5dp$	Rc1/8	55	40	9.5	25	$\phi 9$	$\phi 14$	$\phi 16$	26	7	9.5
MTAS-50 FA	MTAD-50 FA	$\phi 6.8, \phi 10.5 \times 6.5dp$	Rc1/8	60	50	11.1	29	$\phi 11$	$\phi 17$	$\phi 20$	30	9	12.5
MTAS-63 FA	MTAD-63 FA	$\phi 9, \phi 14 \times 9dp$	Rc1/8	70	63	11.1	29	$\phi 11$	$\phi 17$	$\phi 20$	30	9	12.5

Single side clamping arm

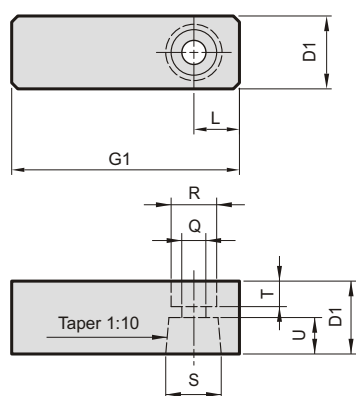
(Standard type with thread)



Code Model	D1	F	G	G1	E1	Q	R	S	T	U
MTAS-25	□15.9	6	35	50	M6×1.0	$\phi 6.8$	$\phi 11$	$\phi 14$	5	8.5
MTAS-32	□19	8	50	70	M8×1.25	$\phi 9$	$\phi 14$	$\phi 16$	7	9.5
MTAS-40	□19	8	55	75	M8×1.25	$\phi 9$	$\phi 14$	$\phi 16$	7	9.5
MTAS-50	□25.4	10	60	85	M10×1.5	$\phi 11$	$\phi 17$	$\phi 20$	9	12.5
MTAS-63	□25.4	10	70	95	M10×1.5	$\phi 11$	$\phi 17$	$\phi 20$	9	12.5

Single side clamping arm B type

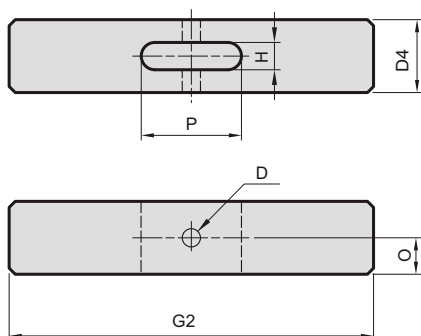
(Extension type without thread)



Code Model	D1	F	G1	L	Q	R	S	T	U
MTAS-25 B	□15.9	6	70	15	$\phi 6.8$	$\phi 11$	$\phi 14$	5	8.5
MTAS-32 B	□19	8	100	20	$\phi 9$	$\phi 14$	$\phi 16$	7	9.5
MTAS-40 B	□19	8	100	20	$\phi 9$	$\phi 14$	$\phi 16$	7	9.5
MTAS-50 B	□25.4	10	130	25	$\phi 11$	$\phi 17$	$\phi 20$	9	12.5
MTAS-63 B	□25.4	10	130	25	$\phi 11$	$\phi 17$	$\phi 20$	9	12.5

Double side clamping arm

(Standard & Extension type)



Double side clamping arm (Standard type)

Code Model	Tube I.D.	D	D4	G2	H	O	P
MTAD-32	$\phi 32$	$\phi 8$	□19	140	9	9.5	25
MTAD-40	$\phi 40$	$\phi 8$	□19	140	9	9.5	25
MTAD-50	$\phi 50$	$\phi 8$	□22.2	160	10	11.1	29
MTAD-63	$\phi 63$	$\phi 8$	□22.2	160	10	11.1	29

Double side clamping arm B type (Extension type)

Code Model	Tube I.D.	D	D4	G2	H	O	P
MTAD-32 B	$\phi 32$	$\phi 8$	□19	200	9	9.5	25
MTAD-40 B	$\phi 40$	$\phi 8$	□19	200	9	9.5	25
MTAD-50 B	$\phi 50$	$\phi 8$	□22.2	230	10	11.1	29
MTAD-63 B	$\phi 63$	$\phi 8$	□22.2	230	10	11.1	29