

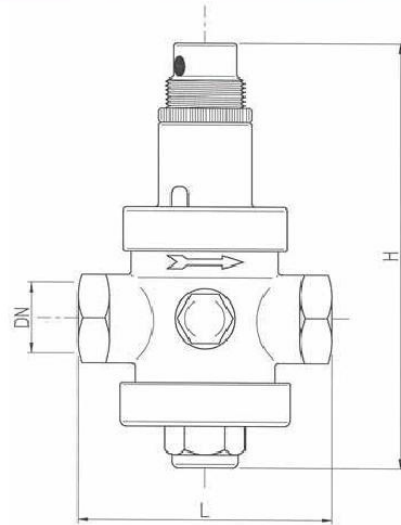
Brass Pressure Reducing Valve c/w Gauge

Compression Ends, with 0-10 Bar Gauge

Pressure/Temperature Details	
Max Inlet	22 Bar
Max Outlet	0.5 - 6 Bar
Temperature	-10°C to 80°C

Dimensions			
DN	L	H	Kg
22	96	125	1.05

Material List	
Body	Brass CW617N UNI EN 12164
Internals	Brass CW614N UNI EN 12164
Seat	Brass CW617N UNI EN 12164
Stem	Brass CW614N UNI EN 12164
O-rings	NBR
Plastic Parts	Ultramid A3K (BASF)



DISCHARGE AND HEADLOSS CHART:

