



Features

- Ultra Compact, light weight and space saving cylinder.
- Wide range of bore sizes and strokes (12mm~100mm).
- Single and double acting available.
- Ideal for use in machinery where space is limited and incorporating sensor groove which enables flush fitting of sensors.
- Magnetic as standard.

Specification

Model	MCJQ2	
Acting type	Double acting	
Tube I.D.(mm)	12, 16	20, 25
Port size	M5 × 0.8	
Medium	Air	
Operating pressure range	0.07~1 MPa	0.05~1 MPa
Proof pressure	1.5 MPa	
Ambient temperature	-5°C~+60°C (No freezing)	
Available speed range	50~500 mm/sec	
Sensor switch (※)	RCB	

※ RCB specification, please refer to page V-07.

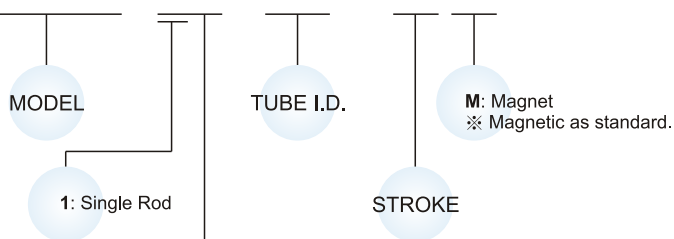
Double acting-Table for standard stroke

Tube I.D.	Stroke (mm)
φ 12,16	5, 10, 15, 20, 25, 30
φ 20,25	5, 10, 15, 20, 25, 30, 35, 40, 45, 50

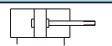
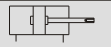
- Stroke out of specification is also available.
- Please consult us if stroke out of specification.

Order example

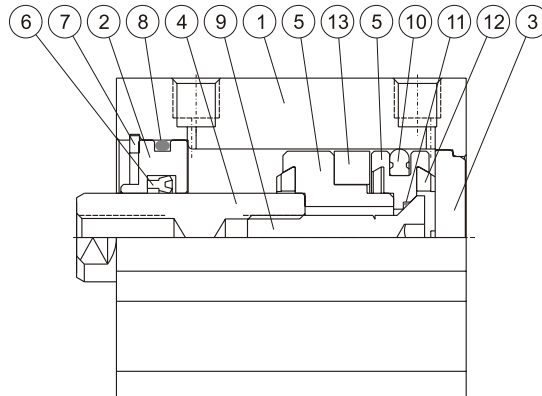
MCJQ2 - 12 - 20 - 25 M



STYLE

Code	Symbol	Description
1 1		Double acting / Male thread
1 2		Double acting / Female thread

**Double acting
(with magnet)**

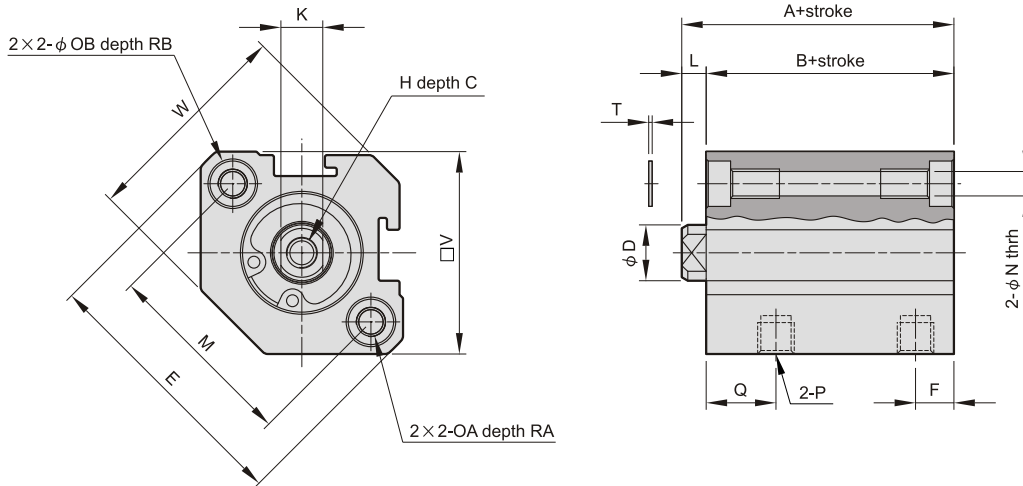


Seal kit

	Rod packing	Piston packing	Cover ring	Piston gasket
Acting type	Double action			
Qty.	1	1	2	1
12	KSYR-6	OPA-12	S-12	d4 × w1
16	KSYR-8	OPA-16	S-14	d4 × w1
20	KSYR-10A	OPA-20	S-18	d6 × w1
25	KSYR-12	OPA-25	S-22.4	d8 × w1

Material

No.	Part name / Tube I.D.	12~25	Note
1	Body	Aluminum alloy	Hard anodized
2	Rod cover	Aluminum bearing alloy	Anodized
3	End cover	Aluminum alloy	Anodized
4	Piston rod	Stainless steel	
5	Piston	Aluminum alloy	Anodized
6	Rod packing	NBR	
7	Snap ring	Stainless steel	
8	Cover ring	NBR	
9	Piston bolt	Stainless steel	
10	Piston packing	NBR	
11	Piston gasket	NBR	
12	Cushion packing	NBR	
13	Magnet	Plastic	

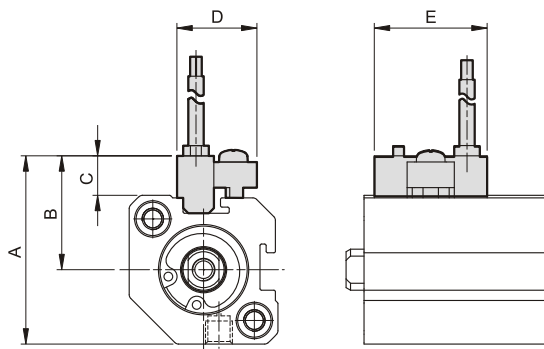


MCJQ2-11 male thread size

Code Tube I.D.	C1	H1	L1	X
12	9	M5×0.8	14	10.5
16	10	M6×1.0	15.5	12
20	12	M8×1.25	18.5	14
25	15	M10×1.25	22.5	17.5

Code Tube I.D.	Stroke range	A	B	C	D	E	F	H	K	L	M	N	OA	RA	OB	RB	T	P	Q	V	W
12	5~30	31.5	28	6	6	32	6.5	M3×0.5	5	3.5	22	3.5	M4×0.7	7	6.5	3.5	0.5	M5×0.8	11	25	28
16	5~30	34	30.5	8	8	38	5.5	M4×0.7	6	3.5	28	3.5	M4×0.7	7	6.5	3.5	0.5	M5×0.8	10	29	31
20	5~50	36	31.5	10	10	47	5.5	M5×0.8	8	4.5	36	5.5	M6×1.0	10	9	7	1	M5×0.8	10.5	36	30
25	5~50	37.5	32.5	12	12	52	5.5	M6×1.0	10	5	40	5.5	M6×1.0	10	9	7	1	M5×0.8	11	40	35

Installation of sensor switch



Order example

RCB — □

MODEL

RCB (C: Reed switch)

RNB (N: Solid state switch)

Blank: Lead wire
QD: Connector

Code Tube I.D.	A	B	C	D	E
12	33	20.5	8	16	22
16	37	22.5	8	16	22
20	42.5	24	5.5	16	22
25	46	26	6	16	22